

Features

- Output: min. 11 V/45 mA
- For 1...2 devices/test setups
- In conjunction with NI PCMCIA-FBUS card
- Permitted for Zone 2 operation
- For FOUNDATION Fieldbus H1
- Windows XP/Vista/7 compatible
- USB 1.1/2.0 compatible

Function

The USB-FBPS-1.11.45.NI fieldbus power supply powers one or two field devices. It connects via D-SUB female connector to the popular NI PCMCIA FBUS card by National Instruments.

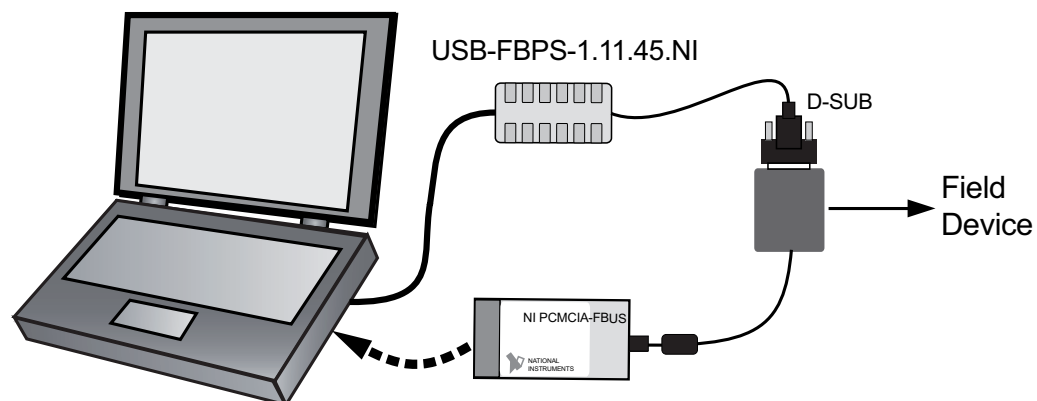
This small unit is designed to enable commissioning and maintenance personnel to conduct single field device work typical during plant start-up or maintenance: device configuration download, functional test, and device tagging. The power supply provides the infrastructure from the convenience of a laptop or PC, or any other USB-port.

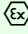
This device complements the portfolio of FieldConnex[®] tools for the fieldbus practitioner on the go. It complements the mobile Diagnostic Module DM-AM for check-out, monitoring, and troubleshooting of single fieldbus segments.

Assembly



Connection



Supply	
Connection	USB-Male Connector Typ A (Standard)
Rated voltage	typ. 5 V
Rated current	max. 350 mA
Power loss	typ. 250 mW
Fieldbus interface	
Connection	D-SUB connector (female) 9-pin ; pin 6: Bus + , pin 7: Bus -
Rated voltage	min. 11 V
Rated current	45 mA
Short-circuit current	typ. 60 mA
Terminating resistor	50 Ω
Indicators/operating means	
LED ERR	red flashing: short-circuit or undervoltage at output
LED PWR	green: Interface Power ON/OK
Directive conformity	
Electromagnetic compatibility	
Directive 2004/108/EC	EN 61326-1:2006
Standard conformity	
Protection degree	IEC/EN 60529
Fieldbus standard	IEC 61158-2
Ambient conditions	
Ambient temperature	-10 ... 50 °C (14 ... 122 °F)
Storage temperature	-40 ... 70 °C (-40 ... 158 °F)
Pollution Degree	max. 2, according to IEC 60664
Mechanical specifications	
Connection type	USB-Male Connector Typ A (Standard)
Housing	56 x 32 x 17 mm
Housing material	Polycarbonate
Protection degree	IP20
Mass	approx. 105 g
Data for application in connection with Ex-areas	
Outputs	
Voltage U_o	17.5 V
Declaration of conformity	PF 08 CERT 1303 X
Group, category, type of protection, temperature class	 II 3G Ex nA II T4
Directive conformity	
Directive 94/9/EC	EN 60079-0:2006 ; EN 60079-15:2005 ; EN 60079-11:2007
General information	
Supplementary information	Statement of Conformity, Declaration of Conformity, Attestation of Conformity and instructions have to be observed where applicable. For information see www.pepperl-fuchs.com .