



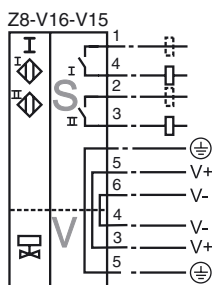
Model Number

NBN3-F31-Z8-V16-V15

Features

- Direct mounting on standard actuators
- Compact and stable housing
- Fixed setting
- Satisfies machinery directive

Connection



Accessories

BT65A

Activator for F31 series

BT65X

Activator for F31 series

BT115A

Activator for F31 series

BT115X

Activator for F31 series

BT65B

Activator for F31 series

BT115B

Activator for F31 series

V16-G

Cable socket, dia. 24, 6-pin+PE, easy to assemble

V16-W

Cable socket, dia. 24, 6-pin+PE, easy to assemble

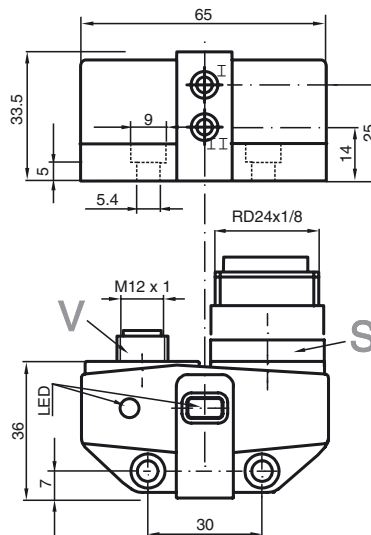
V15-G-PG9

Cable socket, M12, 5-pin, ready for assembly

V15-W-PG9

Cable socket, M12, 5-pin, ready for assembly

Dimensions



Technical Data

General specifications

Switching element function	Dual (NO)
Rated operating distance	s_n 3 mm
Installation	embeddable mountable
Output polarity	DC
Assured operating distance	s_a 0 ... 2.43 mm
Reduction factor r_{AI}	0.5
Reduction factor r_{Cu}	0.4
Reduction factor r_{304}	1
Reduction factor r_{S137}	1.1

Nominal ratings

Operating voltage	U_B 6 ... 60 V DC
Switching frequency	f 0 ... 500 Hz
Hysteresis	H typ. 5 %
Reverse polarity protected	tolerant
Short-circuit protection	no
Voltage drop	U_d ≤ 6 V
Operating current	I_L 4 ... 100 mA
Lowest operating current	I_m 4 mA
Off-state current	I_r 0 ... 1 mA typ. 0.7 mA
Indication of the switching state	LED, yellow
Valve status indication	LED, yellow

Limit data

Tightening torque, fastening screws	0.4 Nm
-------------------------------------	--------

Functional safety related parameters

MTTF _d	590 a
Mission Time (T _M)	20 a
Diagnostic Coverage (DC)	0 %

Ambient conditions

Ambient temperature	-25 ... 70 °C (-13 ... 158 °F)
---------------------	--------------------------------

Mechanical specifications

Connection (system side)	Device connector Rd24 x 1/8 , 4-pin
Connection (valve side)	5-pin, M12 x 1 socket
Housing material	PBT
Sensing face	PBT
Protection degree	IP67

Compliance with standards and directives

Standard conformity	
Standards	EN 60947-5-2:2007 IEC 60947-5-2:2007

Approvals and certificates

UL approval	cULus Listed, General Purpose
CSA approval	cCSAus Listed, General Purpose

Release date: 2012-02-27 13:54 Date of issue: 2012-02-27 209270_eng.xml