



Model Number

RMS Antenna broad

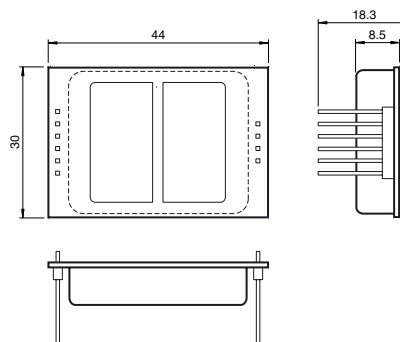
Radar antenna for wide sensing range

Features

- Wide sensing range
- Plug and Play

for automatic doors

Dimensions



Technical data

General specifications

| | |
|-----------------------------------|---|
| Sensing range | 4000 x 2000 mm (d x w) at installation height of 2200 mm and 30Å° angle |
| Function principle | Microwave module |
| Detection speed | min. 0.1 m/s |
| Marking | CE |
| Operating frequency | 24.15 ... 24.25 GHz K-Band |
| Transmitter radiated power (EIRP) | < 20 dBm |

Ambient conditions

| | |
|-----------------------|--------------------------------|
| Operating temperature | -20 ... 60 °C (-4 ... 140 °F) |
| Storage temperature | -30 ... 70 °C (-22 ... 158 °F) |
| Relative humidity | max. 90 % non-condensing |

Mechanical specifications

| | |
|-----------------|--------------|
| Mounting height | max. 4000 mm |
|-----------------|--------------|

Suitable series

| | |
|--------|-----|
| Series | RMS |
|--------|-----|

Compliance with standards and directives

| | |
|---------------------|--------------------------------------|
| Standard conformity | |
| Standards | EN 62311, EN 300 440-1, EN 300 440-2 |

Release date: 2011-09-26 10:00 Date of issue: 2011-09-26 208944_eng.xml