



### Model Number

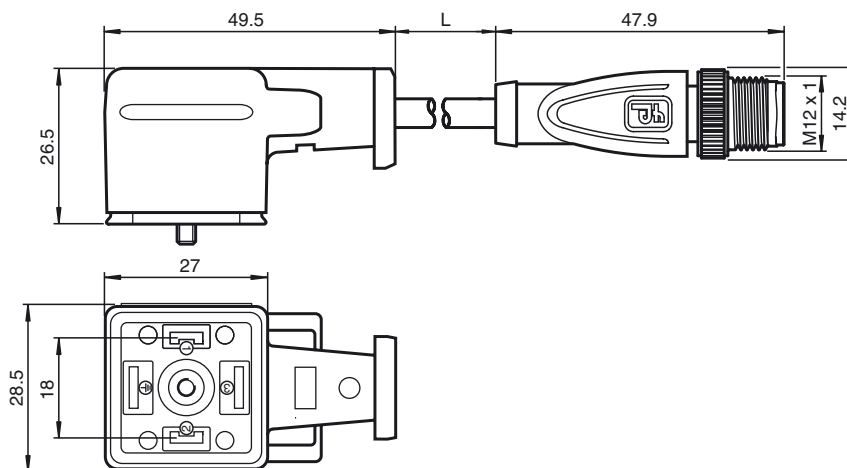
#### VMA-2+P/L1-1M-PUR-V1-G

Valve connector Form A on M12 circular connector

### Features

- Valve connector according EN 175301-803 A/ISO 4400 (previously DIN 43650)
- Moulded seal
- Built-in LED, as operating and function indicator

### Dimensions



### Technical data

#### General specifications

Number of pins	2 + PE
Connection 1	Valve connector DIN
Construction type 1	right angle
Connection 2	Male connector
Construction type 2	straight
Threading 2	M12

#### Indicators/operating means

LED yellow	Operating display
------------	-------------------

#### Electrical specifications

Operating voltage	$U_B$	24 V AC/DC
Operating current		max. 4 A
Volume resistance		< 10 m $\Omega$

#### Ambient conditions

Ambient temperature	-25 ... 80 °C (-13 ... 176 °F)
Pollution Degree	3

#### Mechanical specifications

Contact elements	Fork type springs
Protection degree	IP65/IP67
Connection	Valve connector Form A
Material	
Contacts	CuZn ; CuSn
Body	PUR
Cable	PUR
Core insulation	PP
Cable	fine-strand, flexible
Sheath diameter	$\varnothing$ 5.8 mm
Bending radius	> 10 x cable diameter, moving
Color	grey
Cores	(2 + 1) x 0.75 mm <sup>2</sup>
Conductor construction	42 x 0.15 mm $\varnothing$
Length	L 1 m

### Electrical connection

