

Model Number

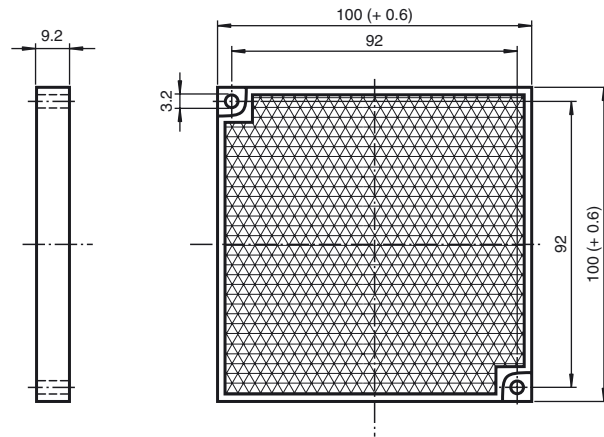
REF-H100F

Reflector, rectangular 100 mm x 100 mm, mounting holes

Features

- Mounting holes for simple installation
- Chemical-resistant
- tested by TÜV

Dimensions



Technical data

General specifications

Construction type rectangular

Ambient conditions

Ambient temperature -25 ... 50 °C (-13 ... 122 °F)

Mechanical specifications

Protection degree IP69K

Material SC

Dimensions 100 mm x 100 mm x 9.2 mm

Mounting mounting holes