



Model Number

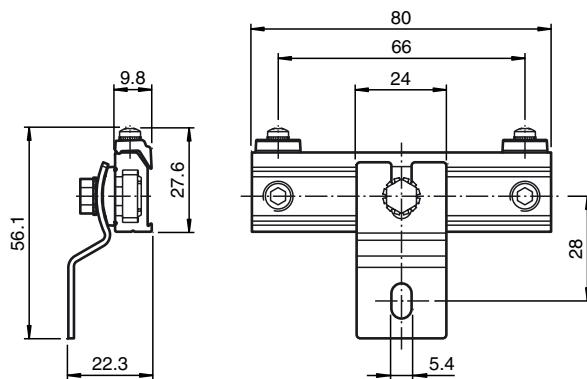
OMH-SLCT-03

Mounting bracket including adjustment

Features

- Mounting bracket
- Simple and fast mounting

Dimensions



Technical data

General specifications

Setting angle $\pm 7^\circ$

Mechanical specifications

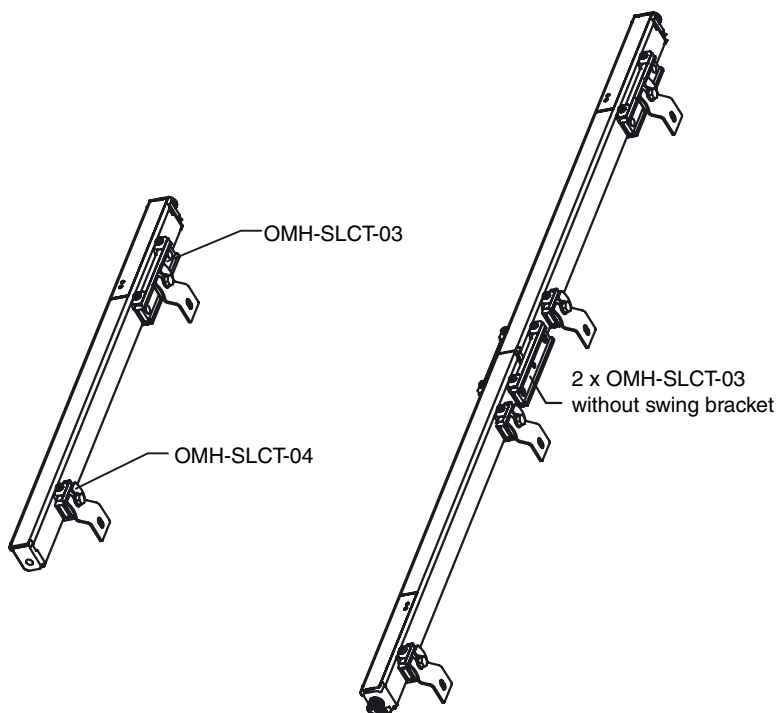
Material aluminium

Mass approx. 70 g

Suitable series

Safety Series SLCT
SLCS

Mounting note



Release date: 2008-06-13 14:56 Date of issue: 2008-06-13 205994_ENG.xml