



### Model Number

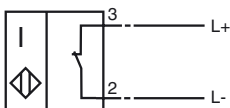
SJ2-N-Y205242

### Features

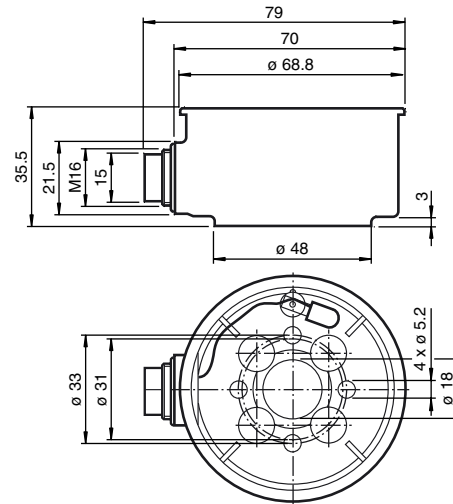
- 2 mm slot width

### Connection

N / NO



### Dimensions



### Technical Data

#### General specifications

Switching element function	NAMUR, NC
Slot width	2 mm
Depth of immersion (lateral)	5 ... 7 typ. 6 mm
Installation	
Output polarity	NAMUR

#### Nominal ratings

Nominal voltage	$U_o$	8 V
Operating voltage	$U_B$	5 ... 25 V
Switching frequency	$f$	0 ... 5000 Hz
Current consumption		
Measuring plate not detected		$\geq 3$ mA
Measuring plate detected		$\leq 1$ mA

#### Ambient conditions

Ambient temperature	-10 ... 60 °C (14 ... 140 °F)
---------------------	-------------------------------

#### Mechanical specifications

Connection type	flexible leads LIFYW , sensor Connector Hirschmann, MASEI 3100
Core cross-section	0.06 mm <sup>2</sup> , sensor
Housing material	PBT, Initiator GV5H , counter housing
Protection degree	IP67 , sensor

#### Compliance with standards and directives

Standard conformity	
Standards	EN 60947-5-2:2007 IEC 60947-5-2:2007

#### Approvals and certificates

UL approval	cULus Listed, General Purpose
CSA approval	cCSAus Listed, General Purpose