



### Model Number

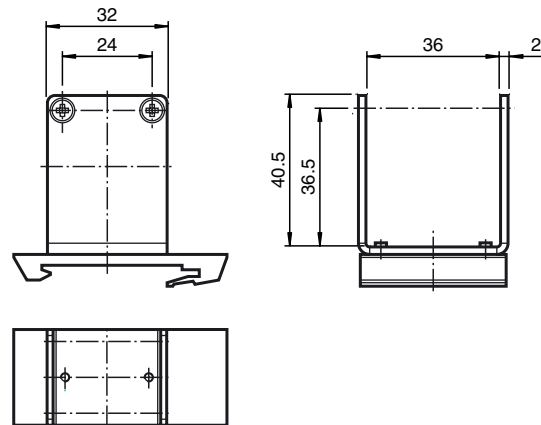
**OMH-VCS210**

Mounting bracket

### Features

- Mounting bracket
- Simple and fast mounting

### Dimensions



### Technical data

#### Mechanical specifications

|          |                                  |
|----------|----------------------------------|
| Material | Metal sheet (steel), zinc plated |
| Mass     | approx. 1 g                      |
| Mounting | Mounting accessories included    |

#### Suitable series

|        |        |
|--------|--------|
| Series | VCS210 |
|--------|--------|