

Model Number

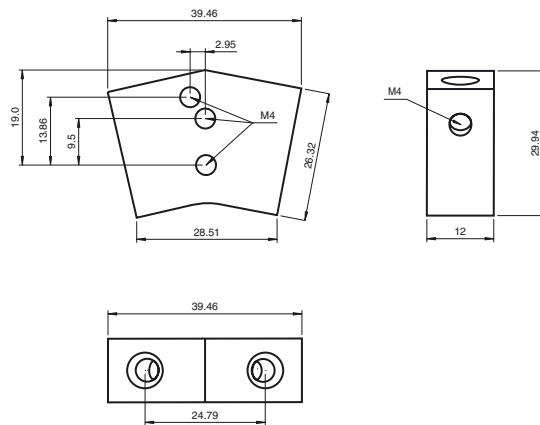
K-LA09

Features

- Crossing light beam
- Auxiliary lens for VCS210
- can be used with fiber optic light guide head K16

Threading M4

Dimensions



Technical data

General specifications

Sensor range	approx. 20 mm ... 50 mm ; depending on fitted fibre optics
Diameter of the light spot	approx. 7 mm

Ambient conditions

Ambient temperature	0 ... 70 °C (273 ... 343 K)
---------------------	-----------------------------

Mechanical specifications

Material	anodised aluminium
Mass	approx. 26 g
Mounting	Threading M4