



Model Number

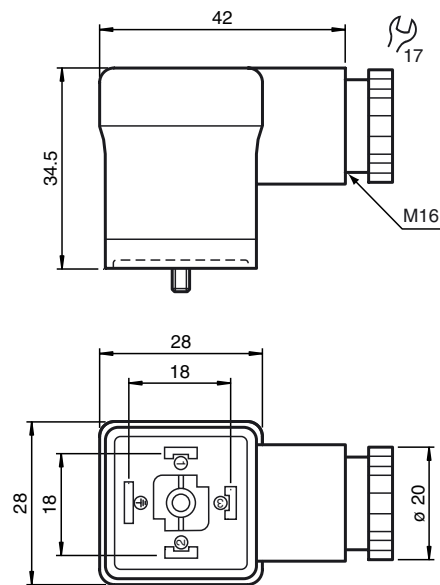
VMA-2+PE

Valve connector Form A, non pre-wired

Features

- Valve connector according EN 175301-803 A/ISO 4400 (previously DIN 43650)
- Moulded seal
- Freely selectable cable outlet due to rotating insert

Dimensions



Technical data

General specifications

Number of pins	2 + PE
Connection 1	Valve connector DIN
Construction type 1	right angle

Electrical specifications

Operating voltage	U_B	250 V AC/DC
Operating current		max. 10 A
Volume resistance		< 10 m Ω

Ambient conditions

Ambient temperature	-40 ... 125 °C (-40 ... 257 °F)
---------------------	---------------------------------

Mechanical specifications

Protection degree	IP67
Connection	Valve connector Form A screw terminals for max. 1.5 mm ² M16 cable gland

Material	
Contacts	CuZn ; CuSn
Handle	PA
Cable	
Sheath diameter	6 ... 8 mm

Electrical connection

