



Model Number

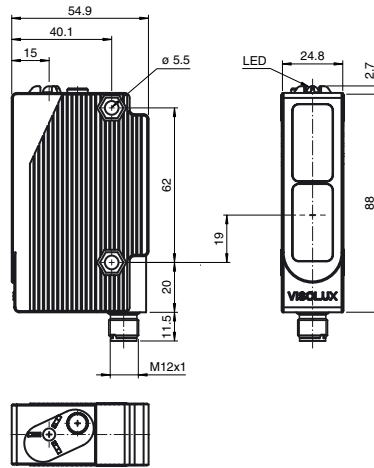
RLF23-8-H-800-IR-2240/47/92

Background suppression sensor with 4-pin, M12 x 1 plastic connector

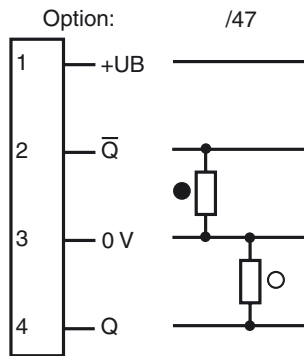
Features

- Precise background suppression
- Sturdy plastic housing
- Extremely bright LED indicator
- No interference from reflections in the background
- Optical surface made of scratch-resistant glass

Dimensions

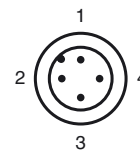


Electrical connection



○ = Light on
● = Dark on

Pinout



Release date: 2008-09-03 14:31 Date of issue: 2011-01-26 203948_ENG.xml

Technical data**General specifications**

Detection range	50 ... 800 mm
Adjustment range	100 ... 800 mm
Background suppression	+ 10 % of the upper limit of the detection range
Light source	LED
Light type	modulated infrared light
Black/White difference (6 %/90 %)	< 5 %
Approvals	CE
Transmitter frequency	1.8 kHz
Diameter of the light spot	20 mm at sensor range 800 mm
Angle of divergence	1 °
Ambient light limit	60000 Lux

Indicators/operating means

Function display	LED yellow, lights up with receiver lit
------------------	---

Electrical specifications

Operating voltage	U_B	10 ... 30 V DC
Ripple		10 %
No-load supply current	I_0	50 mA

Output

Switching type	light on	
Signal output	2 PNP, complementary, short-circuit protected, reverse polarity protected	
Switching voltage	30 V DC	
Switching current	max. 200 mA	
Switching frequency	f	8 Hz
Response time		50 ms

Standard conformity

Standards	EN 60947-5-2
-----------	--------------

Ambient conditions

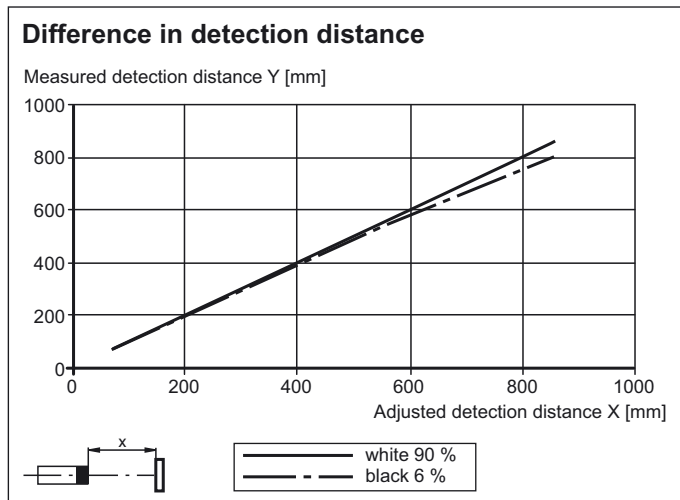
Ambient temperature	-20 ... 60 °C (-4 ... 140 °F)
Storage temperature	-20 ... 75 °C (-4 ... 167 °F)

Mechanical specifications

Protection degree	IP65
Connection	M12 connector, 4-pin
Material	
Housing	Novodur
Optical face	glass
Mass	250 g

Approvals and certificates

CCC approval	Products with a maximum operating voltage of ≤ 36 V do not bear a CCC marking because they do not require approval.
--------------	--

Curves/Diagrams**Accessories****OMH-05**

Mounting aid for round steel \varnothing 12 mm or sheet 1.5 mm ... 3 mm

OMH-07

Mounting aid for round steel \varnothing 12 mm or sheet 1.5 mm ... 3 mm

OMH-21

Mounting bracket

OMH-22

Mounting bracket

OMH-RLK29-HW

Mounting bracket for rear wall mounting

Additional accessories can be found in the Internet.

