



**Model Number**

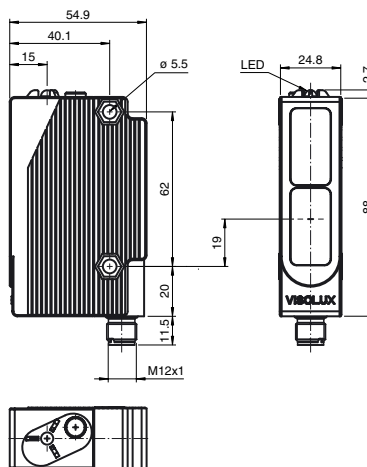
**RLF23-8-H-800-RT-2174/47/92**

Background suppression sensor with 4-pin, M12 x 1 plastic connector

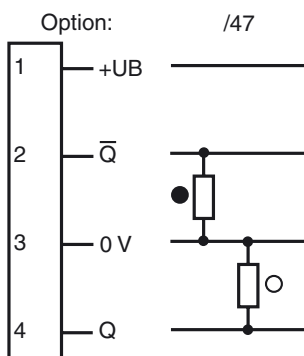
**Features**

- Precise background suppression
- Sturdy plastic housing
- Extremely bright LED indicator
- No interference from reflections in the background
- Optical surface made of scratch-resistant glass

**Dimensions**

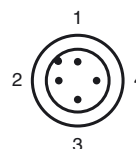


**Electrical connection**



○ = Light on  
● = Dark on

**Pinout**



Release date: 2008-04-29 10:57 Date of issue: 2011-01-26 203947\_ENG.xml

**Technical data****General specifications**

Detection range	20 ... 800 mm
Adjustment range	200 ... 800 mm
Background suppression	+ 10 % of the upper limit of the detection range
Light source	LED
Light type	modulated visible red light
Black/White difference (6 %/90 %)	< 15 %
Approvals	CE
Transmitter frequency	1.8 kHz
Diameter of the light spot	20 mm at sensor range 800 mm
Angle of divergence	2 °
Ambient light limit	60000 Lux

**Indicators/operating means**

Function display	LED yellow, lights up with receiver lit
------------------	---

**Electrical specifications**

Operating voltage	$U_B$	10 ... 30 V DC
Ripple		10 %
No-load supply current	$I_0$	100 mA

**Output**

Switching type	light on	
Signal output	2 PNP, complementary, short-circuit protected, reverse polarity protected	
Switching voltage	30 V DC	
Switching current	max. 200 mA	
Switching frequency	$f$	70 Hz
Response time	5 ms	

**Standard conformity**

Standards	EN 60947-5-2
-----------	--------------

**Ambient conditions**

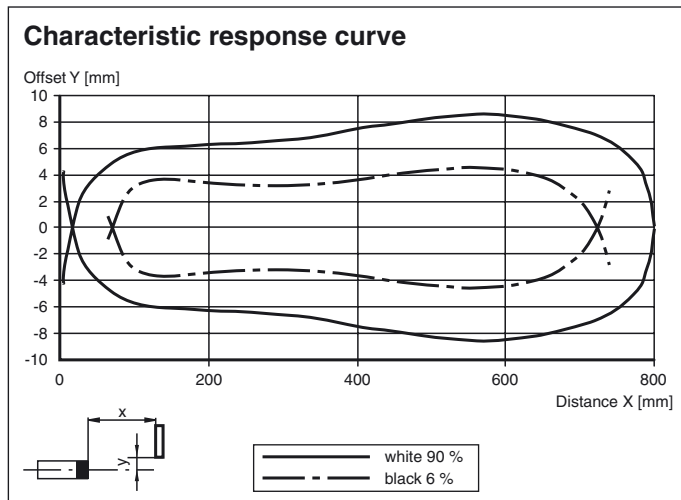
Ambient temperature	-20 ... 60 °C (-4 ... 140 °F)
Storage temperature	-20 ... 75 °C (-4 ... 167 °F)

**Mechanical specifications**

Protection degree	IP65
Connection	M12 connector, 4-pin
Material	
Housing	Novodur
Optical face	glass
Mass	180 g

**Approvals and certificates**

CCC approval	Products with a maximum operating voltage of $\leq 36$ V do not bear a CCC marking because they do not require approval.
--------------	--

**Curves/Diagrams****Accessories****OMH-05**

Mounting aid for round steel  $\varnothing$  12 mm or sheet 1.5 mm ... 3 mm

**OMH-07**

Mounting aid for round steel  $\varnothing$  12 mm or sheet 1.5 mm ... 3 mm

**OMH-21**

Mounting bracket

**OMH-22**

Mounting bracket

**OMH-RLK29-HW**

Mounting bracket for rear wall mounting

Additional accessories can be found in the Internet.

## Curves/Diagrams

