



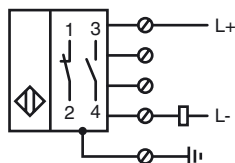
Model Number

NBN30-U4-Z2

Features

- 30 mm not embeddable
- 2 LEDs indicator for 360° visibility

Connection

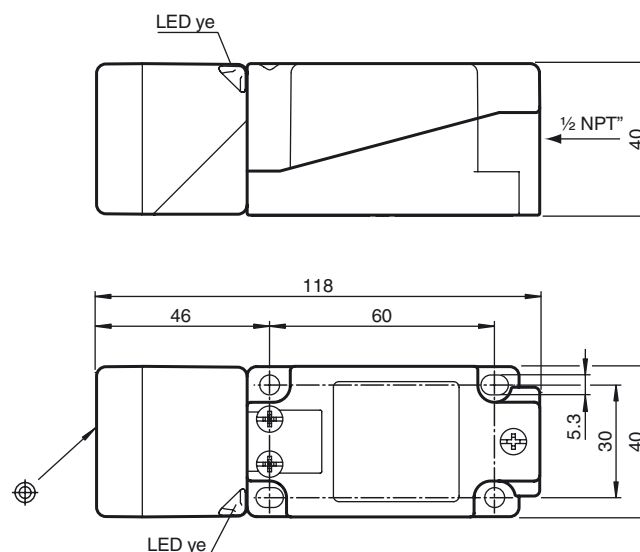


Accessories

MHW 01

Modular mounting bracket

Dimensions



Technical Data

General specifications

Switching element function	DC	NO/NC
Rated operating distance	s_n	30 mm
Installation	not embeddable	
Output polarity	DC	
Assured operating distance	s_a	0 ... 24.3 mm
Reduction factor r_{AI}	0.3	
Reduction factor r_{CU}	0.3	
Reduction factor r_{303}	0.7	

Nominal ratings

Operating voltage	U_B	5 ... 60 V
Switching frequency	f	0 ... 250 Hz
Hysteresis	H	typ. 5 %
Reverse polarity protected	tolerant	
Short-circuit protection	yes	
Voltage drop	U_d	≤ 5 V
Operating current	I_L	2 ... 200 mA
Off-state current	I_r	0 ... 0.5 mA
Indication of the switching state	2 LED, yellow	

Functional safety related parameters

MTTF _d	1170 a
Mission Time (T_M)	20 a
Diagnostic Coverage (DC)	0 %

Ambient conditions

Ambient temperature	-25 ... 85 °C (-13 ... 185 °F)
---------------------	--------------------------------

Mechanical specifications

Connection type	screw terminals
Core cross-section	≤ 2.5 mm ²
Housing material	PA/metal with epoxy powder coating
Sensing face	PA
Housing base	metal
Protection degree	IP68 / IP69K
Mass	225 g
Note	Tightening torque: 1.8 Nm (housing) Tightening torque: 1.0 Nm (Screw terminal)

Compliance with standards and directives

Standard conformity	
Standards	EN 60947-5-2:2007 IEC 60947-5-2:2007

Approvals and certificates

UL approval	cULus Listed, General Purpose
CSA approval	cCSAus Listed, General Purpose
CCC approval	Certified by China Compulsory Certification (CCC)