

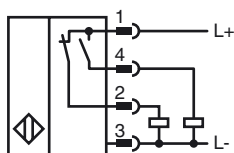


**Model Number**  
NBN30-U4-A2-V1

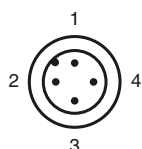
**Features**

- 30 mm not embeddable
- 4 LEDs indicator for 360° visibility

**Connection**



**Pinout**



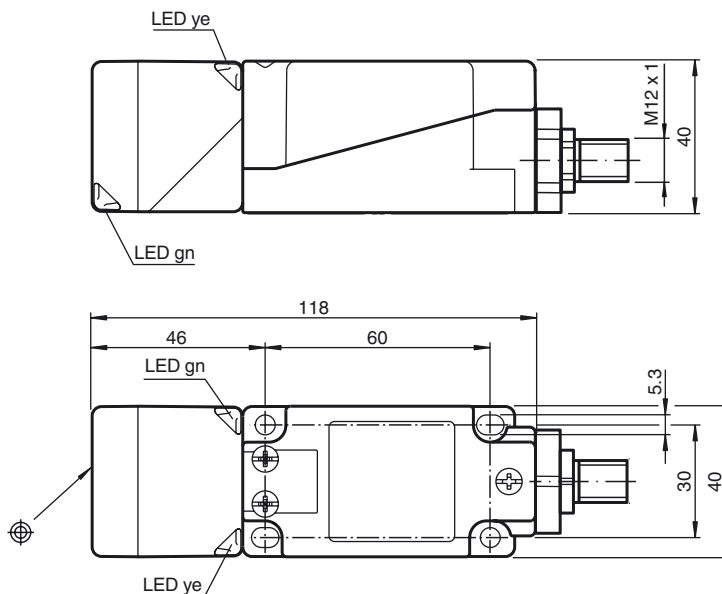
Wire colors in accordance with EN 60947-5-2

1	BN	(brown)
2	WH	(white)
3	BU	(blue)
4	BK	(black)

**Accessories**

- V1-G**  
4-pin, M12 female field-attachable connector
- V1-W**  
4-pin, M12 female field-attachable connector
- V1-W-2M-PUR**  
Cable socket, M12, 4-pin, PUR cable
- V1-G-2M-PUR**  
Cable socket, M12, 4-pin, PUR cable
- MH 04-2681F**  
Mounting aid for VariKont, +U1+ and +U9\*
- MHW 01**  
Modular mounting bracket

**Dimensions**



**Technical Data**

General specifications			
Switching element function		PNP	NO/NC
Rated operating distance	$s_n$	30 mm	
Installation		not embeddable	
Output polarity		DC	
Assured operating distance	$s_a$	0 ... 24.3 mm	
Reduction factor $r_{AI}$		0.33	
Reduction factor $r_{Cu}$		0.31	
Reduction factor $r_{303}$		0.74	
Reduction factor $r_{Brass}$		0.38	

Nominal ratings			
Operating voltage	$U_B$	10 ... 30 V	
Switching frequency	$f$	0 ... 150 Hz	
Hysteresis	$H$	typ. 5 %	
Reverse polarity protected		reverse polarity protected	
Short-circuit protection		pulsing	
Voltage drop	$U_d$	$\leq 2$ V	
Operating current	$I_L$	0 ... 200 mA	
Off-state current	$I_r$	0 ... 0.5 mA	
No-load supply current	$I_0$	$\leq 20$ mA	
Operating voltage display		LED, green	
Indication of the switching state		LED, yellow	

Functional safety related parameters	
MTTF <sub>d</sub>	1230 a
Mission Time (T <sub>M</sub> )	20 a
Diagnostic Coverage (DC)	0 %

Ambient conditions	
Ambient temperature	-25 ... 85 °C (-13 ... 185 °F)

Mechanical specifications	
Connection type	Device connector M12 x 1, 4-pin
Housing material	PA/metal with epoxy powder coating
Sensing face	PA
Housing base	metal
Protection degree	IP68 / IP69K
Mass	225 g
Note	Tightening torque: 1.8 Nm (housing)

Compliance with standards and directives	
Standard conformity	
Standards	EN 60947-5-2:2007 IEC 60947-5-2:2007

Approvals and certificates	
UL approval	cULus Listed, General Purpose
CSA approval	cCSAus Listed, General Purpose
CCC approval	Products with a maximum operating voltage of $\leq 36$ V do not bear a CCC marking because they do not require approval.

Release date: 2011-08-15 13:16 Date of issue: 2011-08-15 203081\_eng.xml