



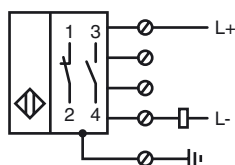
**Model Number**

**NBB20-U4-Z2**

**Features**

- 20 mm embeddable
- 2-wire DC
- 2 LEDs indicator for 360° visibility

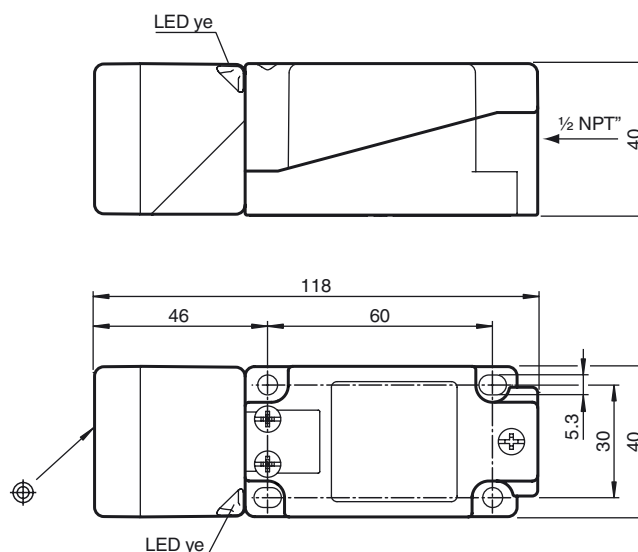
**Connection**



**Accessories**

- MHW 01**  
Modular mounting bracket
- MH 04-2681F**  
Mounting aid for VariKont, +U1+ and +U9\*

**Dimensions**



**Technical Data**

General specifications			
Switching element function		DC	NO/NC
Rated operating distance	$s_n$	20 mm	
Installation		embeddable	
Output polarity		DC	
Assured operating distance	$s_a$	0 ... 16.2 mm	
Reduction factor $r_{AI}$		0.3	
Reduction factor $r_{CU}$		0.3	
Reduction factor $r_{303}$		0.7	

Nominal ratings			
Operating voltage	$U_B$	5 ... 60 V DC	
Switching frequency	$f$	0 ... 250 Hz	
Hysteresis	$H$	typ. 5 %	
Reverse polarity protected		tolerant	
Short-circuit protection		pulsing	
Voltage drop	$U_d$	$\leq 5$ V	
Operating current	$I_L$	2 ... 200 mA	
Off-state current	$I_r$	0 ... 0.5 mA	
Indication of the switching state		2 LED, yellow	

Functional safety related parameters	
MTTF <sub>d</sub>	1162 a
Mission Time (T <sub>M</sub> )	20 a
Diagnostic Coverage (DC)	0 %

Ambient conditions	
Ambient temperature	-25 ... 85 °C (-13 ... 185 °F)

Mechanical specifications	
Connection type	screw terminals
Core cross-section	$\leq 2.5$ mm <sup>2</sup>
Housing material	PA/metal with epoxy powder coating
Sensing face	PA
Housing base	metal
Protection degree	IP68 / IP69K
Mass	225 g
Note	Tightening torque: 1.8 Nm (housing) Tightening torque: 1.0 Nm (Screw terminal)

Compliance with standards and directives	
Standard conformity	
Standards	EN 60947-5-2:2007 IEC 60947-5-2:2007

Approvals and certificates	
UL approval	cULus Listed, General Purpose
CSA approval	cCSAus Listed, General Purpose
CCC approval	Certified by China Compulsory Certification (CCC)

Release date: 2011-08-16 13:48 Date of issue: 2011-08-16 203066\_eng.xml