

**Model Number**

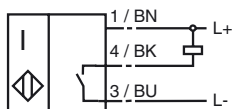
NBB20-U4-E0-V94

Features

- 20 mm embeddable
- 4 LEDs indicator for 360° all-round visibility

Connection

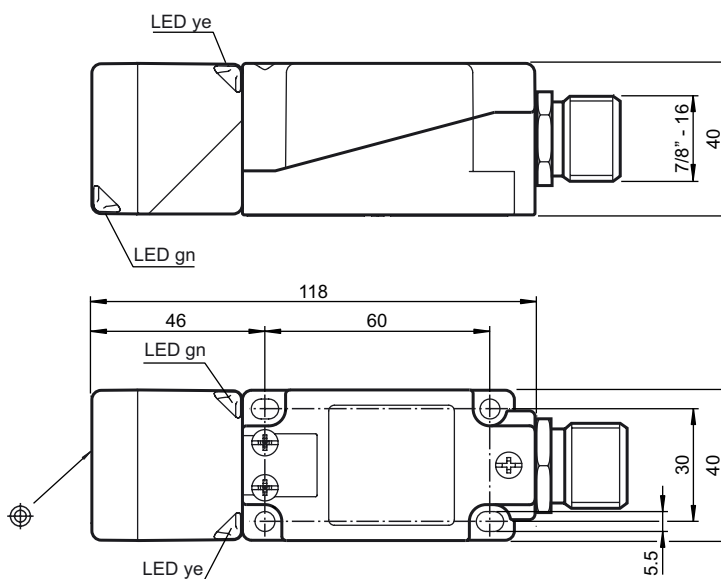
E / E0

**Accessories****MHW 01**

Mounting aid

MH 04-2681F

Mounting aid

Dimensions**Technical Data****General specifications**

Switching element function	NPN Make function	
Rated operating distance	s_n	20 mm
Installation	embeddable	
Output polarity	DC	
Assured operating distance	s_a	0 ... 16.2 mm
Reduction factor r_{Al}	0.33	
Reduction factor r_{Cu}	0.31	
Reduction factor r_{V2A}	0.74	
Reduction factor r_{Brass}	0.41	

Nominal ratings

Operating voltage	U_B	10 ... 30 V
Switching frequency	f	0 ... 150 Hz
Hysteresis	H	typ. 5 %
Reverse polarity protection	protected against reverse polarity	
Short-circuit protection	pulsing	
Voltage drop	U_d	≤ 2 V
Operating current	I_L	0 ... 200 mA
Off-state current	I_r	0 ... 0.5 mA typ. 0.1 μ A at 25 °C
No-load supply current	I_0	≤ 20 mA
Operating voltage display	LED, green	
Indication of the switching state	LED, yellow	

Standard conformity

Standards	IEC / EN 60947-5-2:2004
-----------	-------------------------

Ambient conditions

Ambient temperature	-25 ... 85 °C (248 ... 358 K)
---------------------	-------------------------------

Mechanical specifications

Connection type	Connector 7/8"-16 UN
Housing material	PA/metal
Sensing face	PA
Protection degree	IP67 / IP69K
Mass	225 g
Note	Tightening torque: 1.8 Nm (housing)

Approvals and certificates

UL approval	cULus Listed, General Purpose
-------------	-------------------------------