



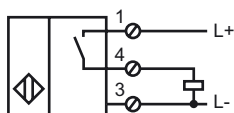
Model Number

NBB15-U4-E2

Features

- 4 LEDs indicator for 360° visibility
- 15 mm embeddable

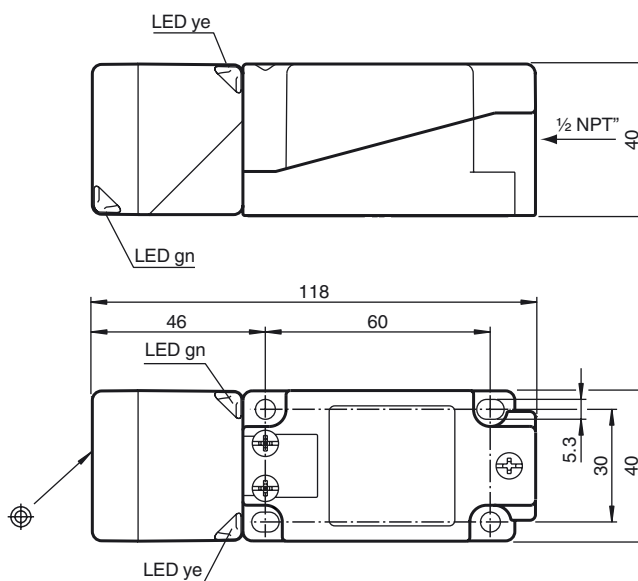
Connection



Accessories

MHW 01
Modular mounting bracket

Dimensions



Technical Data

General specifications	
Switching element function	PNP NO
Rated operating distance	s_n 15 mm
Installation	embeddable
Output polarity	DC
Assured operating distance	s_a 0 ... 12.15 mm
Reduction factor r_{AI}	0.33
Reduction factor r_{Cu}	0.31
Reduction factor r_{303}	0.74
Reduction factor r_{Brass}	0.41
Nominal ratings	
Operating voltage	U_B 10 ... 30 V
Switching frequency	f 0 ... 200 Hz
Hysteresis	H typ. 5 %
Reverse polarity protected	reverse polarity protected
Short-circuit protection	pulsing
Voltage drop	U_d ≤ 2 V
Operating current	I_L 0 ... 200 mA
Off-state current	I_r 0 ... 0.5 mA typ. 0.01 mA
No-load supply current	I_0 ≤ 20 mA
Operating voltage display	LED, green
Indication of the switching state	LED, yellow
Functional safety related parameters	
MTTF _d	1460 a
Mission Time (T _M)	20 a
Diagnostic Coverage (DC)	0 %
Ambient conditions	
Ambient temperature	-25 ... 85 °C (-13 ... 185 °F)
Mechanical specifications	
Connection type	screw terminals
Core cross-section	up to 2.5 mm ²
Housing material	PA/metal with epoxy powder coating
Sensing face	PA
Housing base	metal
Protection degree	IP68 / IP69K
Mass	225 g
Note	Tightening torque: 1.8 Nm (housing) Tightening torque: 1.0 Nm (Screw terminal)
Compliance with standards and directives	
Standard conformity	
Standards	EN 60947-5-2:2007 IEC 60947-5-2:2007
Approvals and certificates	
UL approval	cULus Listed, General Purpose
CSA approval	cCSAus Listed, General Purpose
CCC approval	Products with a maximum operating voltage of ≤ 36 V do not bear a CCC marking because they do not require approval.

Release date: 2011-08-15 14:32 Date of issue: 2011-08-15 203026_eng.xml