



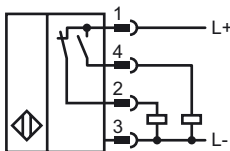
Model Number

NBB20-U4-A2-T-V1

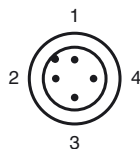
Features

- Temperature range -25 ... 100 °C
- 20 mm embeddable
- 4 LEDs indicator for 360° visibility

Connection



Pinout



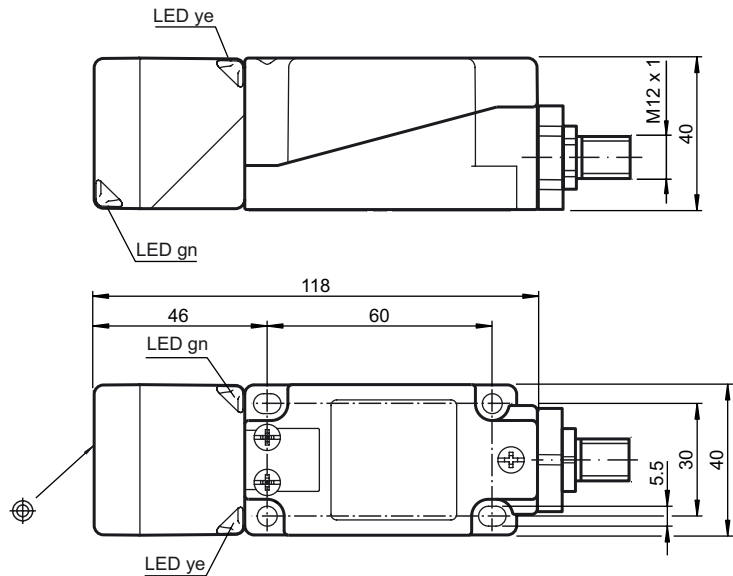
Wire colors in accordance with EN 60947-5-2

- | | |
|---|----|
| 1 | BN |
| 2 | WH |
| 3 | BU |
| 4 | BK |

Accessories

- V1-G**
Non pre-wired cable socket
- V1-W**
Non pre-wired cable socket
- MHW 01**
Mounting aid
- MH 04-2681F**
Mounting aid

Dimensions



Technical Data

General specifications

Switching element function	PNP	Antivalent
Rated operating distance	s_n	20 mm
Installation		embeddable
Output polarity		DC
Assured operating distance	s_a	0 ... 16.2 mm
Reduction factor r_{Al}		0.35
Reduction factor r_{Cu}		0.3
Reduction factor r_{V2A}		0.75

Nominal ratings

Operating voltage	U_B	10 ... 30 V
Switching frequency	f	0 ... 300 Hz
Hysteresis	H	typ. 5 %
Reverse polarity protection		protected against reverse polarity
Short-circuit protection		pulsing
Voltage drop	U_d	≤ 2 V
Operating current	I_L	0 ... 200 mA
Off-state current	I_r	0 ... 0.5 mA
No-load supply current	I_0	≤ 20 mA
Operating voltage display		LED, green
Indication of the switching state		LED, yellow

Ambient conditions

Ambient temperature		-25 ... 100 °C (248 ... 373 K)
---------------------	--	--------------------------------

Mechanical specifications

Connection type		connector M12 x 1, 4-pin
Housing material		PA/metal
Sensing face		PA
Protection degree		IP67 / IP69K
Mass		225 g
Note		Tightening torque: 1.8 Nm (housing)

Compliance with standards and directives

Standard conformity		
Standards		EN 60947-5-2:2007 IEC 60947-5-2:2007

Approvals and certificates

UL approval		cULus Listed, General Purpose
-------------	--	-------------------------------

Release date: 2009-12-08 09:25 Date of issue: 2009-12-08 203022_ENG.xml