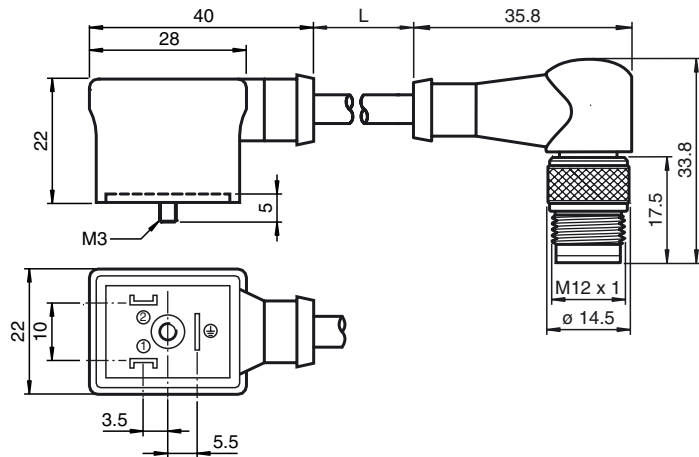




Dimensions



Model Number

VMB-2+PE/LED/Z2-0,3M-PVC-V1-W

Valve connector, shape B on M12, 2+PE, LED, Z diode, PUR cable

Features

- Valve connector according EN 175301-803 A/ISO 4400 (previously DIN 43650)
- Z diode as a protective circuit
- Moulded seal
- Freely selectable cable outlet due to rotating insert

Technical data

General specifications

Number of poles	2 + PE
Connection 1	Valve connector DIN
Construction type 1	angled
Connection 2	Connector, male
Construction type 2	angled
Threading 2	M12

Electrical specifications

Operating voltage	U_B	24 V AC/DC
Test voltage		2000 V
Operating current		max. 4 A
Volume resistance		< 10 mΩ

Ambient conditions

Ambient temperature	-25 ... 80 °C (248 ... 353 K)
Pollution Degree	3

Mechanical specifications

Protection degree	IP67
Connection	Valve connector Form B M12 x 1 connector, 3-pin, A-coded

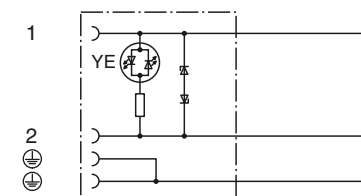
Material

Contacts	CuZn ; CuSn
Handle	PA
Cable	PVC
Core isolation	PVC

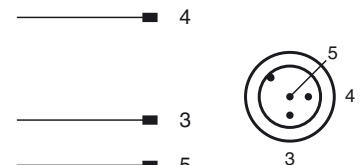
Cable

Sheath diameter	Ø 5.1 mm
Bend radius	> 10 x cable diameter, appropriate for conveyor chains
Colour	black
Cores	(2 + 1) x 0.5 mm ²
Conductor construction	16 x 0.2 mm Ø
Length	L 0.3 m

Electrical connection 1



Electrical connection 2



Release date: 2009-09-25 15:31 Date of issue: 2009-10-07 202419_ENG.xml