

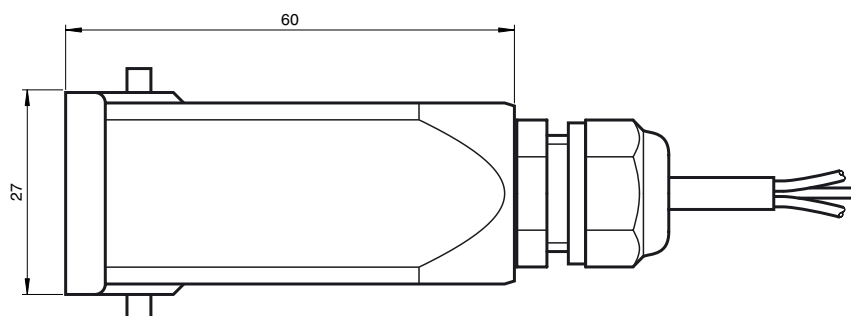


Model Number

V8HAN-G-10M-PVC-ABG

Cable box, Harting, 8-pin, shielded,
PVC cable

Dimensions



Technical data

General specifications

Number of pins	8
Connection 1	female connector
Construction type 1	straight
Connection 2	cable end

Electrical specifications

Operating voltage	U_B	50 V
Rated operational voltage	U_e	230/400 V
Operating current		10 A
Volume resistance		< 3 m Ω

Ambient conditions

Ambient temperature	-40 ... 80 °C (-40 ... 176 °F) (fixed cable)
Pollution Degree	3

Mechanical specifications

Pin diameter	1 mm
Protection degree	IP65
Connection	8 jacks, Harting 8 D , size 3A
Material	
Contacts	Cu alloy
Contact surface	Au
Body	aluminum and polycarbonate
Cable	PVC
Cable	
Sheath diameter	Ø8.7 mm
Bending radius	> 10 x cable diameter, moving
Color	grey
Cores	8 x 0.5 mm ²
Shield	grid
Length	L 10 m
Flammability	
Housing	94 V-0

Compliance with standards and directives

Standard conformity	
Protection degree	EN 60529

Electrical connection

