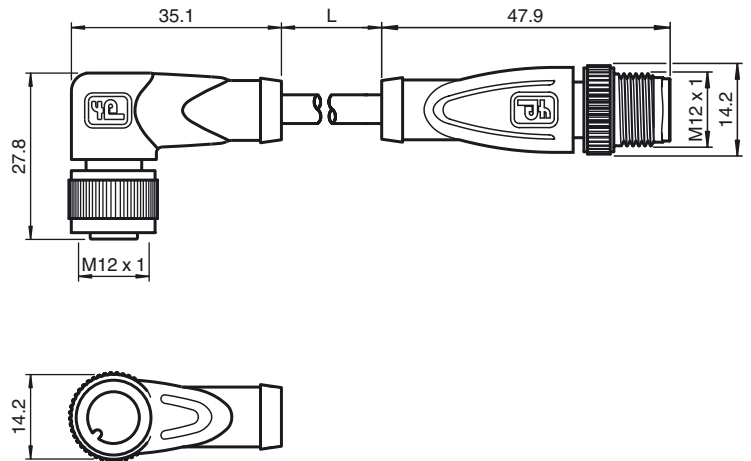


**Dimensions**



**Model Number**

**V15-W-10M-PUR-V15-G**

Connecting cable, M12 to M12, PUR cable 5-pin

**Features**

- Knurled nut suitable for tool assembly
- Immunity to vibration, with mechanical latching
- Gold-plated and machined contacts
- Protection degree IP67 / IP68 / IP69K
- Halogen-free
- Suitable for 2-, 3- and 4-wire technology

**Technical data**

**General specifications**

|                     |                  |
|---------------------|------------------|
| Number of pins      | 5                |
| Connection 1        | female connector |
| Construction type 1 | right angle      |
| Threading 1         | M12              |
| Connection 2        | Male connector   |
| Construction type 2 | straight         |
| Threading 2         | M12              |

**Electrical specifications**

|                   |       |                            |
|-------------------|-------|----------------------------|
| Operating voltage | $U_B$ | max. 60 V DC               |
| Test voltage      |       | > 1500 V <sub>eff</sub> AC |
| Operating current |       | max. 4 A                   |
| Volume resistance |       | < 5 mΩ                     |

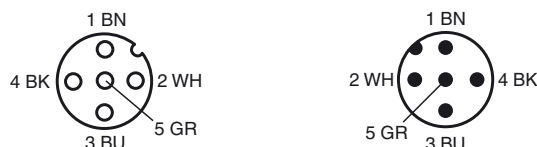
**Ambient conditions**

|                     |  |
|---------------------|--|
| Ambient temperature | -25 ... 100 °C (-13 ... 212 °F)<br>for temperatures over 80 °C (176 °F) reduced elongation at tear |
| Pollution Degree    | 3  |

**Mechanical specifications**

|                        |  |
|------------------------|--|
| Contact elements       | spring-loaded contact socket                           |
| Pin diameter           | 1 mm   |
| Protection degree      | IP67 / IP68 / IP69K                                    |
| Material               |  |
| Contacts               | CuSn / Au  |
| Contact surface        | Au   |
| Body                   | TPU, green   |
| Cable                  | PUR  |
| Slotted nut            | Diecast zinc   |
| Sleeve connector       | Diecast zinc   |
| Core insulation        | PP   |
| Cable                  | fine-strand, flexible                                  |
| Sheath diameter        | Ø4.8 mm  |
| Bending radius         | > 10 x cable diameter, appropriate for conveyor chains |
| Color                  | grey   |
| Cores                  | 5 x 0.34 mm <sup>2</sup>                               |
| Conductor construction | 19 x 0.15 mm Ø   |
| Length                 | L 10 m   |
| Flammability           |  |
| Contact material       | 94 V-2   |
| Housing                | 94 V-2   |

**Electrical connection**



Release date: 2012-01-19 09:10 Date of issue: 2012-01-19 200823\_eng.xml

Subject to modifications without notice

Pepperl+Fuchs Group  
www.pepperl-fuchs.com

USA: +1 330 486 0001  
fa-info@us.pepperl-fuchs.com

Germany: +49 621 776-4411  
fa-info@pepperl-fuchs.com

Copyright Pepperl+Fuchs  
Singapore: +65 6779 9091  
fa-info@sg.pepperl-fuchs.com