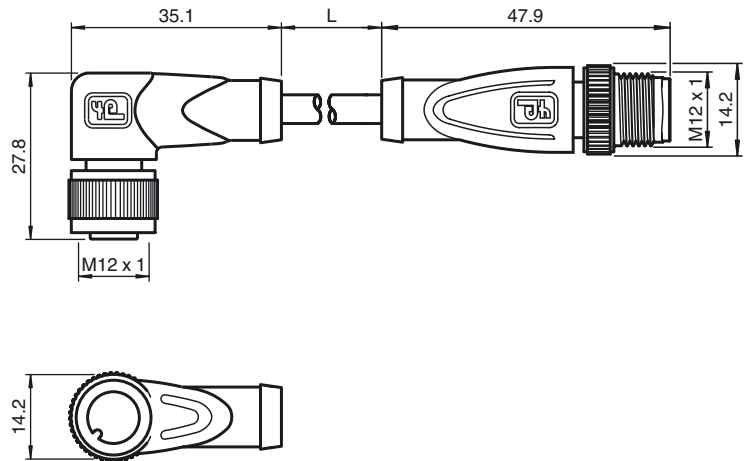


**Dimensions**



**Model Number**

**V15-W-1M-PUR-V15-G**

Connecting cable, M12 to M12, PUR cable 5-pin

**Features**

- Knurled nut suitable for tool assembly
- Immunity to vibration, with mechanical latching
- Gold-plated and machined contacts
- Protection degree IP67 / IP68 / IP69K
- Halogen-free
- Suitable for 2-, 3- and 4-wire technology

**Technical data**

**General specifications**

Number of pins	5
Connection 1	female connector
Construction type 1	right angle
Threading 1	M12
Connection 2	Male connector
Construction type 2	straight
Threading 2	M12

**Electrical specifications**

Operating voltage	$U_B$	max. 60 V DC
Test voltage		> 1500 V <sub>eff</sub> AC
Operating current		max. 4 A
Volume resistance		< 5 mΩ

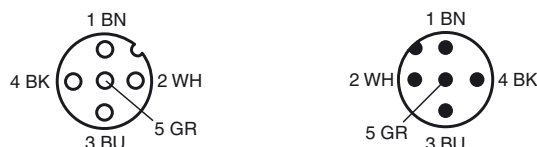
**Ambient conditions**

Ambient temperature	-25 ... 100 °C (-13 ... 212 °F) for temperatures over 80 °C (176 °F) reduced elongation at tear
Pollution Degree	3

**Mechanical specifications**

Contact elements	spring-loaded contact socket	
Pin diameter	1 mm	
Protection degree	IP67 / IP68 / IP69k	
Material		
Contacts	CuSn / Au	
Contact surface	Au	
Body	TPU, green	
Cable	PUR	
Slotted nut	Diecast zinc	
Sleeve connector	Diecast zinc	
Core insulation	PP	
Cable	fine-strand, flexible	
Sheath diameter	Ø4.8 mm	
Bending radius	> 10 x cable diameter, appropriate for conveyor chains	
Color	grey	
Cores	5 x 0.34 mm <sup>2</sup>	
Conductor construction	19 x 0.15 mm Ø	
Length	L	1 m
Flammability		
Contact material	94 V-2	
Housing	94 V-2	

**Electrical connection**



Release date: 2012-01-19 09:10 Date of issue: 2012-01-19 200813\_eng.xml

Subject to modifications without notice

Pepperl+Fuchs Group  
www.pepperl-fuchs.com

USA: +1 330 486 0001  
fa-info@us.pepperl-fuchs.com

Germany: +49 621 776-4411  
fa-info@pepperl-fuchs.com

Copyright Pepperl+Fuchs  
Singapore: +65 6779 9091  
fa-info@sg.pepperl-fuchs.com