



**Model Number**

**VOS120-FFPL-600-IR-3791**

Vision Sensor

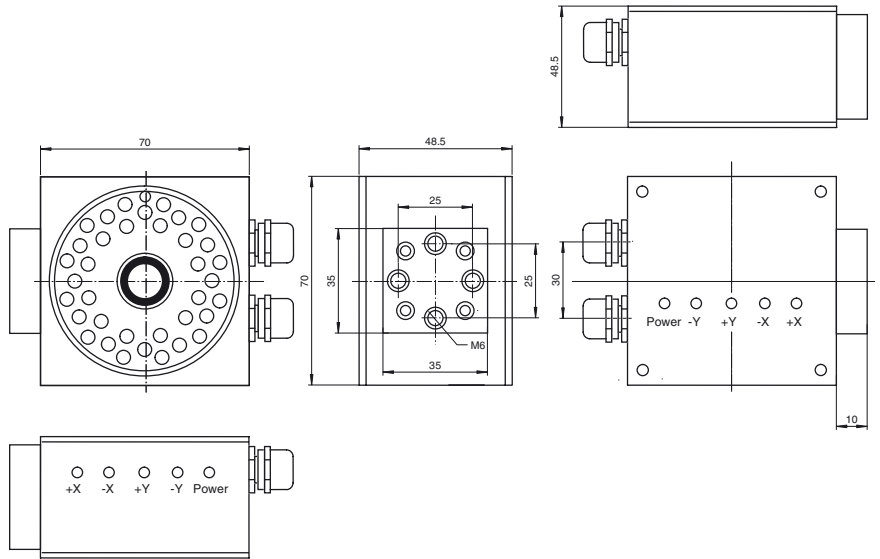
**Features**

- Detects the position of an index hole
- Large capture range
- High operating range
- Integrated contrast compensation
- Compact design
- Integrated illumination

**Product information**

The sensor has been developed for the precision positioning of high-bay racking operating equipment. It detects circular holes in the racking structure and their positional deviation from the nominal position. The sensor operates in two dimensions.

**Dimensions**



**Electrical connection**

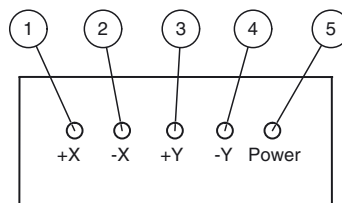
Pinning according 8-pin M12-connector (Process-interface)      Pinning according 4-pin M12-socket (RS 232)



Pin	Signal	Color	Direction
1	+ X	white	Output
2	+24 V	brown	
3	- Y	green	Output
4	+ Y	yellow	Output
5	- X	grey	Output
6	Cycle stop	pink	Input
7	GND	blue	
8	Relative stroke / error image memory	red	

Pin	Signal	Color
1	RxD	brown
2	TxD	white
3	GND	blue
4	(free)	black

**Indicators/operating means**



1	+X Position	red
2	-X Position	red
3	+Y Position	red
4	-Y Position	red
5	Power	green

Release date: 2011-03-28 15:53 Date of issue: 2011-03-28 200781\_ENG.xml

Subject to modifications without notice

Pepper+Fuchs Group  
www.pepperl-fuchs.com

USA: +1 330 486 0001  
fa-info@us.pepperl-fuchs.com

Germany: +49 621 776-4411  
fa-info@pepperl-fuchs.com

Copyright Pepper+Fuchs  
Singapore: +65 6779 9091  
fa-info@sg.pepperl-fuchs.com

**Technical data****General specifications**

Object distance	600 mm +/- 50 mm
Light source	IRED
Light type	infrared , 880 nm
Approvals	CE
Object size	Hole diameter 10 - 15 mm (10 % - 15 % of the capture range)
Horizontal screen segment	depending on the objective used and the distance to the object
Vertical screen segment	depending on the objective used and the distance to the object
Response delay	100 ms
Optical resolution	depending on the objective used and the distance to the object
Capture range	max. 100 mm x 120 mm

**Nominal ratings**

Camera	
CCD type	progressive scan
Number of pixels	640 x 480 pixels
Gray scale	256

**Functional safety related parameters**

MTTF <sub>d</sub>	122.8 a
-------------------	---------

**Indicators/operating means**

Operating display	LED green: Ready for operation
Function display	4 x LED red: +X, -X, +Y, -Y
Controls	none

**Electrical specifications**

Operating voltage	U <sub>B</sub>	24 V DC ± 20 %
Operating current		240 mA

**Interface**

Interface type	serial , RS 232
Transfer rate	max. 115.2 kBit/s

**Input**

Input voltage	12 ... 24 V DC
Input current	1.6 mA at 24 V
Switching threshold	low: < 2.5 V, high: > 8 V

**Output**

Signal output	4 x PNPNC +X, -X, +Y, -Y
Switching voltage	24 V each output
Switching current	max. 100 mA each output

**Ambient conditions**

Ambient temperature	0 ... 45 °C (32 ... 113 °F)
Storage temperature	-20 ... 60 °C (-4 ... 140 °F)
Relative humidity	80 % , noncondensing
Shock resistance	< 50 g
Vibration resistance	< 3 G , 11 ... 200 Hz

**Mechanical specifications**

Protection degree	IP54
Connection	300 mm fixed cable with M12 connector, 8-pin ; 300 mm fixed cable with M12 x 1 Socket, straight , 4-pin

**Material**

Housing	anodized aluminium
Optical face	glass pane
Mass	350 g

**Compliance with standards and directives**

Directive conformity	
EMC Directive 2004/108/EC	EN 61326-1 , EN 55011
Standard conformity	
Noise immunity	EN 61326
Emitted interference	EN 55011
Protection degree	EN 60529

**Accessories****V1S-G-2M-PUR-SUBD9**

Cable connector, M12, 4-pin, PUR cable on Sub-D female connector, 9-pin

**V19-G-2M-PUR ABG**

Cable socket, M12, 8-pin, shielded, PUR cable

**V19-G-5M-PUR-ABG**

Cable socket, M12, 8-pin, shielded, PUR cable

**VSK120-Y231214**

Y connecting cable, Sub-D-connector, 25-pin to 1xM12, 4-pin and 1xM12, 8-pin, PUR cable

**CBX800-KIT-B6-5004**

Connection module for RS 232 and RS 485 enabled devices

Additional accessories can be found in the Internet.