

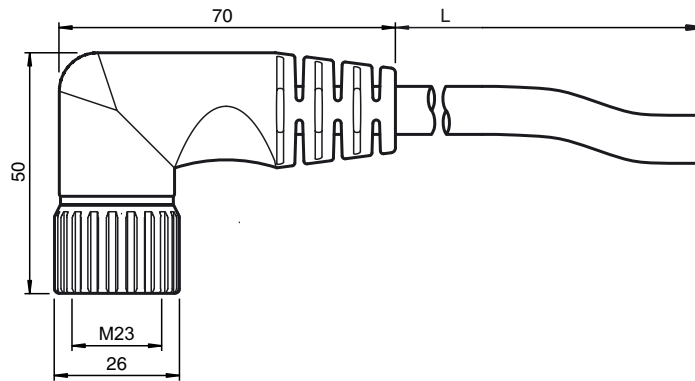


Model Number

V23-19-W-3M-PUR

Cable socket, M23, 19-pin, PUR cable

Dimensions



Technical data

General specifications

| | |
|---------------------|-------------------|
| Number of poles | 19 |
| Connection 1 | Connector, female |
| Construction type 1 | angled |
| Threading 1 | M23 |
| Connection 2 | free cable end |

Electrical specifications

| | |
|-------------------|----------|
| Operating voltage | 150 V AC |
| Operating current | 12 A |

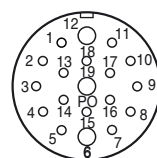
Ambient conditions

| | |
|---------------------|--|
| Ambient temperature | -30 ... 70 °C (243 ... 343 K) (fixed cable) |
| Storage temperature | -5 ... 70 °C (268 ... 343 K) (movable cable) |
| Degree of soiling | 2 |

Mechanical specifications

| | |
|-----------------|--|
| Material | |
| Cable | PUR/PVC |
| Cable | |
| Sheath diameter | Ø 11.6 mm |
| Colour | black |
| Cores | 16 x 0.5 mm ² and 3 x 1 mm ² |
| Length | L 3 m |

Electrical connection 1



* supply line
1.0 mm²

| | | | |
|----|-------|----|--------|
| 1 | VT | 11 | BK |
| 2 | RD | 12 | GN/YE* |
| 3 | GY | 13 | YE/BN |
| 4 | RD/BU | 14 | BN/GN |
| 5 | GN | 15 | WH |
| 6 | BU* | 16 | YE |
| 7 | GY/PK | 17 | PK |
| 8 | WH/GN | 18 | GY/BN |
| 9 | WH/YE | 19 | BN* |
| 10 | WH/GY | | |