



Model Number

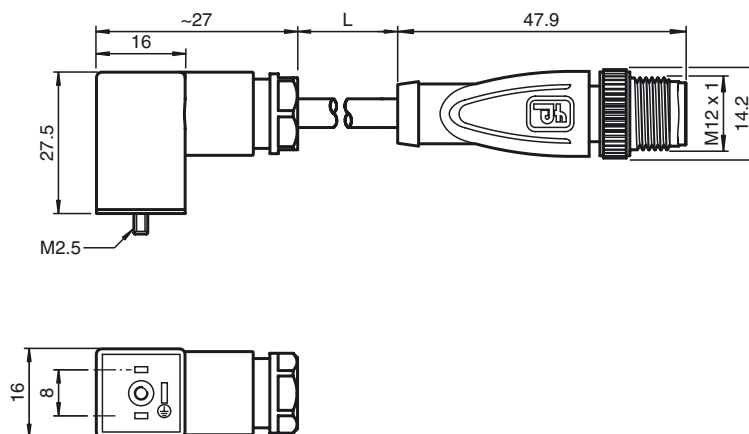
VMC-2+PE/Z2-0,3M-PUR H/S-V1-G

Valve connector, Form C on M12, 2+PE, LED, Varistor, PUR cable

Features

- Varistor as a protective circuit
- Valve connector according EN 175301-803 A/ISO 4400 (previously DIN 43650)
- Flexible sheathing
- Halogen-free

Dimensions



Technical data

General specifications

Number of pins	2 + PE
Connection 1	Valve connector DIN
Construction type 1	right angle
Connection 2	Male connector
Construction type 2	straight
Threading 2	M12

Indicators/operating means

LED yellow	Functional display
------------	--------------------

Electrical specifications

Operating voltage	U_B	24 V AC/DC
Operating current		max. 4 A

Ambient conditions

Ambient temperature	-25 ... 80 °C (-13 ... 176 °F) cable, fixed: -50 ... 105 °C (-58 ... 221 °F) cable, flexing: -40 ... 105 °C (-40 ... 221 °F)
Pollution Degree	3

Mechanical specifications

Protection degree	IP65
Material	
Contacts	CuZn ; CuSn / Au
Contact surface	CuSn ; Au
Body	Valve connector PP Male connector TPU, green
Cable	PUR, irradiated
Core insulation	PP
Cable	fine-strand, flexible
Sheath diameter	Ø4.8 mm
Color	orange
Cores	3 x 0.34 mm ²
Conductor construction	19 x 0.15 mm Ø
Length	L 0.3 m

Electrical connection

