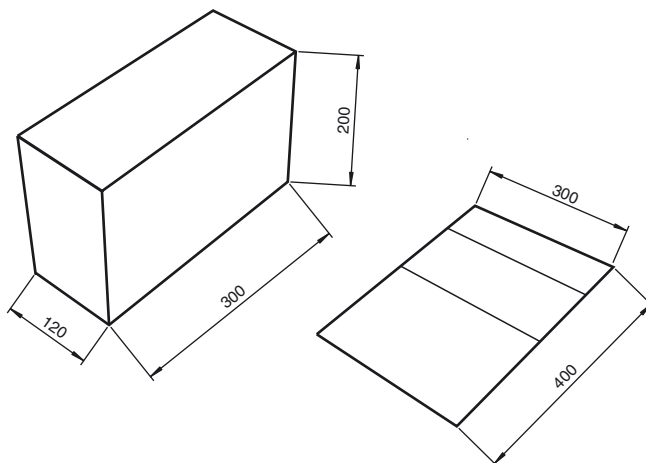




## Dimensions



## Model number

### TopScan-S Test Kit

Adjustment accessories TopScan-S

## Technical data

### Mechanical specifications

Material	Board
Mass	approx. 315 g

### Suitable series

Series	TOPSCAN-S
--------	-----------