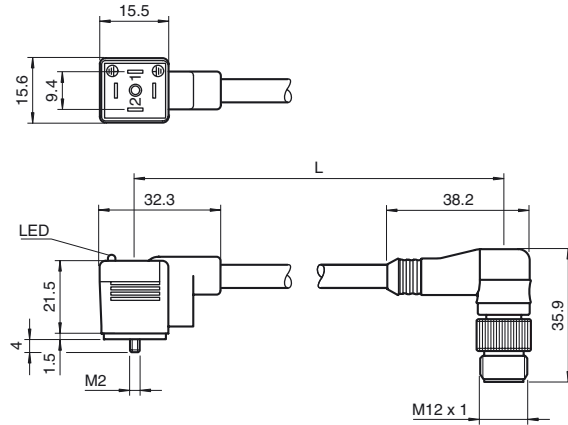




Dimensions



Model Number

VMCI-2+PE/LED/Z2-0,3M-PVC-V1-W

Valve connector Form C (ind) on M12 circular connector with LED display

Features

- Built-in LED, as operating and function indicator

Technical data

General specifications

Number of pins	2 + PE
Connection 1	Valve connector industrial version
Construction type 1	right angle
Connection 2	Male connector
Construction type 2	right angle
Threading 2	M12

Indicators/operating means

LED green	Operating display
-----------	-------------------

Electrical specifications

Operating voltage	U_B	24 V AC/DC
Operating current		max. 10 A

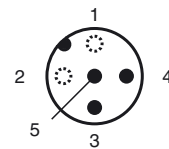
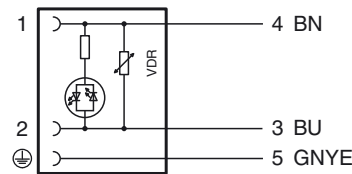
Ambient conditions

Ambient temperature	-5 ... 70 °C (23 ... 158 °F)
---------------------	------------------------------

Mechanical specifications

Protection degree	IP65
Material	
Contacts	brass, silver-plated
Body	PP
Cable	PVC
Core insulation	PVC
Cable	
Sheath diameter	5.5 mm
Color	black
Cores	3 x 0.5 mm ²
Conductor construction	28 x 0.15 mm Ø
Length	L
Length	0.3 m

Electrical connection



Release date: 2008-03-26 14:35 Date of issue: 2011-07-13 198912_eng.xml