



Model Number

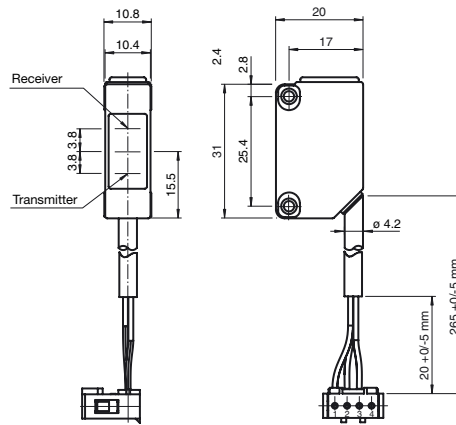
ML20-8-1000-3710/103

Diffuse mode sensor
with fixed cable with Stocko plug, 4-pin

Features

- High operating distance
- Not sensitive to ambient light
- Miniature design

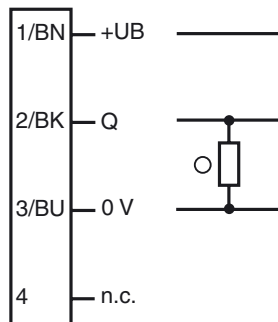
Dimensions



LED Orange: Output status

LED Green: Stable light or
stable dark conditions
Sensitivity adjustment

Electrical connection



○ = Light on

● = Dark on

Technical data

General specifications

Detection range	0 ... 1000 mm
Light source	infrared, modulated light
Approvals	CE, cULus
Reference target	standard white 300 mm x 300 mm
Light type	infrared, modulated light
Ambient light limit	40000 Lux

Indicators/operating means

Function display	LED orange lights up, when output is active LED green (sufficient stability control)
Operating elements	sensing range adjuster

Electrical specifications

Operating voltage	10 ... 30 V DC
Ripple	10 %
No-load supply current	I_0 < 20 mA

Output

Switching type	dark ON
Signal output	1 pnp, short-circuit proof, protected against reverse polarity
Switching voltage	max. 30 V DC
Switching current	max. 100 mA
Voltage drop	U_d ≤ 3 V DC
Switching frequency	f 1000 Hz
Response time	0.5 ms

Standard conformity

Standards	EN 60947-5-2
-----------	--------------

Ambient conditions

Ambient temperature	-30 ... 60 °C (243 ... 333 K)
Storage temperature	-40 ... 70 °C (233 ... 343 K)

Mechanical specifications

Protection degree	IP67
Connection	Fixed cable with Stocko plug, 4-pin
Material	
Housing	PBT
Optical face	PMMA
Covering	PUR
Core isolation	PVC
Mass	approx. 54 g
Tightening torque, fixing screws	≤ 0.5 Nm

Curves / Diagrams

