



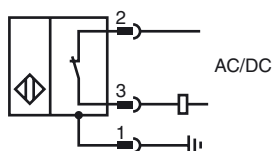
Model Number

NBN25-30GM50-UO-V93

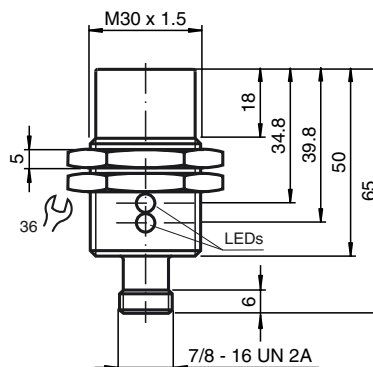
Features

- 3-wire AC/DC
- Cylindrical
- 25 mm non-flush

Connection



Dimensions



Technical Data

General specifications

Switching element function	NC contact
Rated operating distance	s_n 25 mm
Installation	non-flush
Output polarity	AC/DC NC contact
Reduction factor r_{Al}	0.47
Reduction factor r_{Cu}	0.44
Reduction factor r_{304}	0.77

Nominal ratings

Operating voltage	U_B	20 ... 250 V AC/20 ... 300 V DC
Switching frequency	f	30 Hz
Hysteresis	H	3 ... 15 typ. 5 %
Reverse polarity protection		yes
Short-circuit protection		yes
Voltage drop	U_d	≤ 8 V
Operating current	I_L	4 ... 500 mA AC/DC
Off-state current	I_r	≤ 0.8 mA
Operating voltage display		LED, green
Indication of the switching state		LED, yellow

Ambient conditions

Ambient temperature	-25 ... 70 °C (-13 ... 158 °F)
---------------------	--------------------------------

Mechanical specifications

Connection type	Device connector 7/8"-16 UN , 3-pin
Housing material	brass, nickel-plated
Sensing face	PBT
Protection degree	IP67

Compliance with standards and directives

Standard conformity	
Standards	EN 60947-5-2:2007 IEC 60947-5-2:2007

Approvals and certificates

UL approval	cULus Listed, General Purpose
CSA approval	cCSAus Listed, General Purpose
CCC approval	Certified by China Compulsory Certification (CCC)