



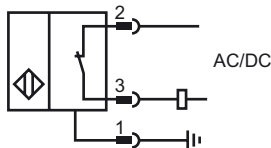
### Model Number

NBN25-30GM50-UO-V12

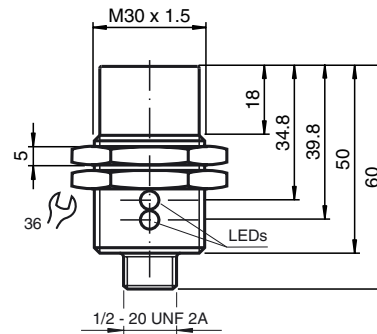
### Features

- 3-wire AC/DC
- Cylindrical
- 25 mm not embeddable

### Connection



### Dimensions



### Technical Data

#### General specifications

|                            |                |
|----------------------------|----------------|
| Switching element function | NC             |
| Rated operating distance   | $s_n$ 25 mm    |
| Installation               | not embeddable |
| Output polarity            | AC/DC NC       |
| Reduction factor $r_{Al}$  | 0.47           |
| Reduction factor $r_{Cu}$  | 0.44           |
| Reduction factor $r_{V2A}$ | 0.77           |

#### Nominal ratings

|                                   |       |                                 |
|-----------------------------------|-------|---------------------------------|
| Operating voltage                 | $U_B$ | 20 ... 250 V AC/20 ... 300 V DC |
| Switching frequency               | $f$   | 30 Hz                           |
| Hysteresis                        | $H$   | 3 ... 15 typ. 5 %               |
| Reverse polarity protected        |       | yes                             |
| Short-circuit protection          |       | yes                             |
| Voltage drop                      | $U_d$ | $\leq 8$ V                      |
| Operating current                 | $I_L$ | 4 ... 500 mA AC/DC              |
| Off-state current                 | $I_r$ | $\leq 0.8$ mA                   |
| Operating voltage display         |       | LED, green                      |
| Indication of the switching state |       | LED, yellow                     |

#### Ambient conditions

|                     |                                |
|---------------------|--------------------------------|
| Ambient temperature | -25 ... 70 °C (-13 ... 158 °F) |
|---------------------|--------------------------------|

#### Mechanical specifications

|                   |                                  |
|-------------------|----------------------------------|
| Connection type   | Device connector M12 x 1 , 3-pin |
| Housing material  | brass, nickel-plated             |
| Sensing face      | PBT                              |
| Protection degree | IP67                             |

#### Compliance with standards and directives

|                     |   |
|---------------------|---|
| Standard conformity |   |
| Standards           | EN 60947-5-2:2007<br>IEC 60947-5-2:2007 |

#### Approvals and certificates

|              |   |
|--------------|---|
| UL approval  | cULus Listed, General Purpose                     |
| CSA approval | cCSAus Listed, General Purpose                    |
| CCC approval | Certified by China Compulsory Certification (CCC) |