



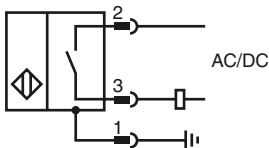
Model Number

NBN25-30GM50-US-V12

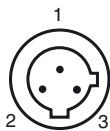
Features

- Basic series
- 25 mm not embeddable
- 2-wire AC/DC

Connection



Pinout



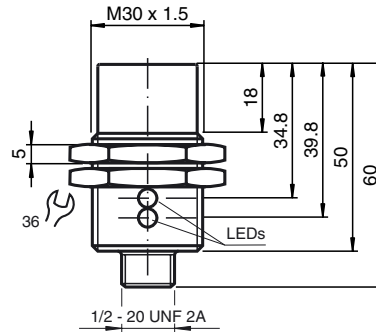
Wire colors

- | | | |
|---|--|-------------------|
| 1 | | GN (green) |
| 2 | | RD/BK (red/black) |
| 3 | | RD/WH (red/white) |

Accessories

BF 30
Mounting flange, 30 mm

Dimensions



Technical Data

General specifications

Switching element function		AC/DC	NO
Rated operating distance	s_n	25 mm	
Installation		not embeddable	
Output polarity		AC/DC NO	
Reduction factor r_{Al}		0.47	
Reduction factor r_{Cu}		0.44	
Reduction factor r_{303}		0.77	

Nominal ratings

Operating voltage	U_B	20 ... 250 V AC/20 ... 300 V DC	
Switching frequency	f	30 Hz	
Hysteresis	H	3 ... 15 typ. 5 %	
Reverse polarity protected		tolerant	
Short-circuit protection		yes	
Voltage drop	U_d	≤ 8 V	
Operating current	I_L	4 ... 500 mA AC/DC	
Off-state current	I_r	≤ 0.8 mA	
Operating voltage display		LED, green	
Indication of the switching state		LED, yellow	

Ambient conditions

Ambient temperature	-25 ... 70 °C (-13 ... 158 °F)
---------------------	--------------------------------

Mechanical specifications

Connection type	Device connector 1/2"-20 UN , 3-pin
Housing material	brass, nickel-plated
Sensing face	PBT
Protection degree	IP67

Compliance with standards and directives

Standard conformity	
Standards	EN 60947-5-2:2007 IEC 60947-5-2:2007

Approvals and certificates

UL approval	cULus Listed, General Purpose
CSA approval	cCSAus Listed, General Purpose
CCC approval	Certified by China Compulsory Certification (CCC)

Release date: 2011-07-14 10:59 Date of issue: 2011-07-14 198096_eng.xml