



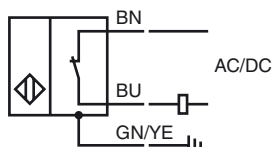
Model Number

NBB15-30GM50-UO

Features

- 3-wire AC/DC
- Cylindrical
- 15 mm flush

Connection

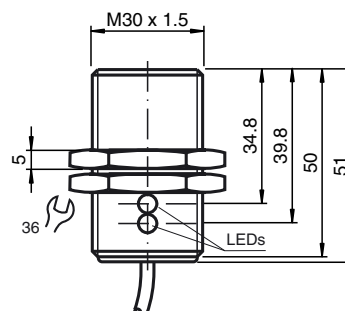


Accessories

EXG-30

Quick mounting bracket with dead stop

Dimensions



Technical Data

General specifications

Switching element function		NC contact
Rated operating distance	s_n	15 mm
Installation		flush
Output polarity		AC/DC NC contact
Reduction factor r_{Al}		0.5
Reduction factor r_{Cu}		0.45
Reduction factor r_{304}		0.75

Nominal ratings

Operating voltage	U_B	20 ... 250 V AC/20 ... 300 V DC
Switching frequency	f	30 Hz
Hysteresis	H	3 ... 15 typ. 5 %
Reverse polarity protection		yes
Short-circuit protection		yes
Voltage drop	U_d	≤ 8 V
Operating current	I_L	4 ... 500 mA AC/DC
Off-state current	I_r	≤ 0.8 mA
Operating voltage display		LED, green
Indication of the switching state		LED, yellow

Ambient conditions

Ambient temperature		-25 ... 70 °C (-13 ... 158 °F)
---------------------	--	--------------------------------

Mechanical specifications

Connection type		cable PUR , 2 m
Core cross-section		0.5 mm ²
Housing material		brass, nickel-plated
Sensing face		PBT
Protection degree		IP67

Compliance with standards and directives

Standard conformity		
Standards		EN 60947-5-2:2007 IEC 60947-5-2:2007

Approvals and certificates

UL approval		cULus Listed, General Purpose
CSA approval		cCSAus Listed, General Purpose
CCC approval		Certified by China Compulsory Certification (CCC)