



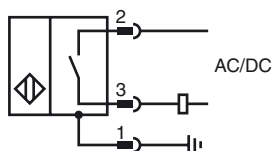
Model Number

NBN15-18GM55-US-V93

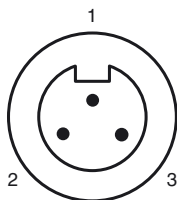
Features

- 15 mm non-flush
- 2-wire AC/DC

Connection



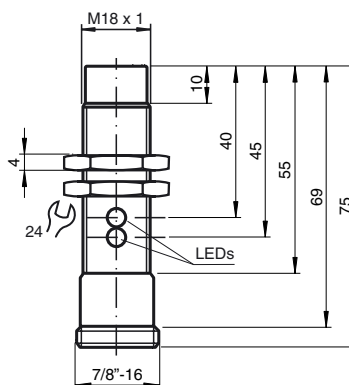
Pinout



Wire colors

1	GN	(green)
2	BK	(black)
3	WH	(white)

Dimensions



Technical Data

General specifications

Switching element function	AC/DC	NO
Rated operating distance	s_n	15 mm
Installation	non-flush	
Output polarity	AC/DC NO contact	
Reduction factor r_{Al}	0.45	
Reduction factor r_{Cu}	0.4	
Reduction factor r_{304}	0.7	

Nominal ratings

Operating voltage	U_B	20 ... 250 V AC/20 ... 300 V DC
Switching frequency	f	30 Hz
Hysteresis	H	3 ... 15 typ. 5 %
Reverse polarity protection	tolerant	
Short-circuit protection	yes	
Voltage drop	U_d	≤ 8 V
Operating current	I_L	4 ... 300 mA AC/DC
Off-state current	I_r	≤ 0.8 mA
Operating voltage display	LED, green	
Indication of the switching state	LED, yellow	

Ambient conditions

Ambient temperature	-25 ... 70 °C (-13 ... 158 °F)
---------------------	--------------------------------

Mechanical specifications

Connection type	Device connector 7/8"-16 UN , 3-pin
Housing material	brass, nickel-plated
Sensing face	PBT
Protection degree	IP67

Compliance with standards and directives

Standard conformity	
Standards	EN 60947-5-2:2007 IEC 60947-5-2:2007

Approvals and certificates

UL approval	cULus Listed, General Purpose
CSA approval	cCSAus Listed, General Purpose
CCC approval	Certified by China Compulsory Certification (CCC)

Release date: 2012-11-16 14:31 Date of issue: 2012-11-16 198086_eng.xml