



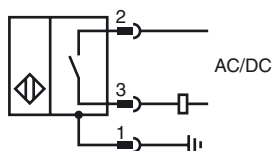
Model Number

NBN15-18GM60-US-V12

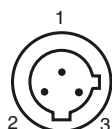
Features

- 15 mm not embeddable
- 2-wire AC/DC

Connection



Pinout



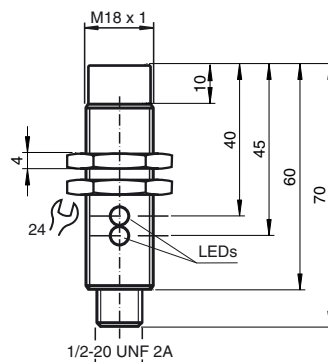
Wire colors

- | | | | |
|---|--|-------|-------------|
| 1 | | GN | (green) |
| 2 | | RD/BK | (red/black) |
| 3 | | RD/WH | (red/white) |

Accessories

BF 18
Mounting flange, 18 mm

Dimensions



Technical Data

General specifications			
Switching element function		AC/DC	NO
Rated operating distance	s_n	15 mm	
Installation		not embeddable	
Output polarity		AC/DC	NO
Reduction factor r_{Al}		0.45	
Reduction factor r_{Cu}		0.4	
Reduction factor r_{303}		0.7	
Nominal ratings			
Operating voltage	U_B	20 ... 250 V AC/20 ... 300 V DC	
Switching frequency	f	30 Hz	
Hysteresis	H	3 ... 15 typ. 5 %	
Reverse polarity protected		tolerant	
Short-circuit protection		yes	
Voltage drop	U_d	≤ 8 V	
Operating current	I_L	4 ... 300 mA AC/DC	
Off-state current	I_r	≤ 0.8 mA	
Operating voltage display		LED, green	
Indication of the switching state		LED, yellow	
Ambient conditions			
Ambient temperature		-25 ... 70 °C (-13 ... 158 °F)	
Mechanical specifications			
Connection type		Device connector 1/2"-20 UN , 3-pin	
Housing material		brass, nickel-plated	
Sensing face		PBT	
Protection degree		IP67	
Compliance with standards and directives			
Standard conformity			
Standards		EN 60947-5-2:2007 IEC 60947-5-2:2007	

Approvals and certificates	
UL approval	cULus Listed, General Purpose
CSA approval	cCSAus Listed, General Purpose
CCC approval	Certified by China Compulsory Certification (CCC)

Release date: 2011-07-14 15:43 Date of issue: 2011-07-14 198084_eng.xml