



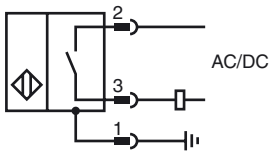
**Model Number**

NBB8-18GM55-US-V93

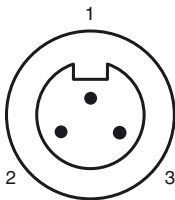
**Features**

- 8 mm flush
- 2-wire AC/DC

**Connection**



**Pinout**



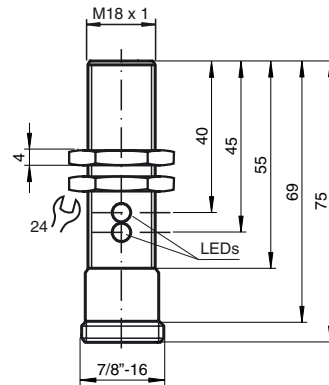
**Wire colors**

1	GN	(green)
2	BK	(black)
3	WH	(white)

**Accessories**

**EXG-18**  
Quick mounting bracket with dead stop

**Dimensions**



**Technical Data**

**General specifications**

Switching element function	AC/DC	NO
Rated operating distance	$s_n$	8 mm
Installation	flush	
Output polarity	AC/DC NO contact	
Reduction factor $r_{Al}$	0.45	
Reduction factor $r_{Cu}$	0.4	
Reduction factor $r_{304}$	0.7	

**Nominal ratings**

Operating voltage	$U_B$	20 ... 250 V AC/20 ... 300 V DC
Switching frequency	$f$	30 Hz
Hysteresis	$H$	3 ... 15 typ. 5 %
Reverse polarity protection	tolerant	
Short-circuit protection	yes	
Voltage drop	$U_d$	$\leq 8$ V
Operating current	$I_L$	4 ... 300 mA AC/DC
Off-state current	$I_r$	$\leq 0.8$ mA
Operating voltage display	LED, green	
Indication of the switching state	LED, yellow	

**Ambient conditions**

Ambient temperature	-25 ... 70 °C (-13 ... 158 °F)
---------------------	--------------------------------

**Mechanical specifications**

Connection type	Device connector 7/8"-16 UN , 3-pin
Housing material	brass, nickel-plated
Sensing face	PBT
Protection degree	IP67

**Compliance with standards and directives**

Standard conformity	
Standards	EN 60947-5-2:2007 IEC 60947-5-2:2007

**Approvals and certificates**

UL approval	cULus Listed, General Purpose
CSA approval	cCSAus Listed, General Purpose
CCC approval	Certified by China Compulsory Certification (CCC)

Release date: 2012-11-16 14:31 Date of issue: 2012-11-16 198080\_eng.xml