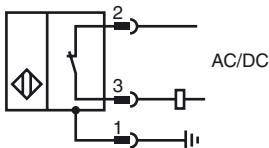


**Model Number**

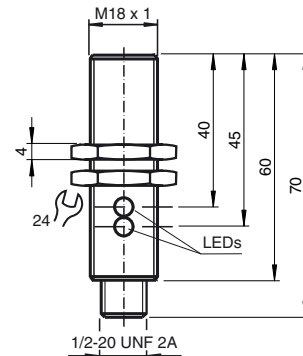
NBB8-18GM60-UO-V12

Features

- 3-wire AC/DC
- Cylindrical
- 8 mm flush

Connection**Accessories****EXG-18**

Quick mounting bracket with dead stop

Dimensions**Technical Data****General specifications**

Switching element function		NC contact
Rated operating distance	s_n	8 mm
Installation		flush
Output polarity		AC/DC NC contact
Reduction factor r_{Al}		0.45
Reduction factor r_{Cu}		0.4
Reduction factor r_{304}		0.7

Nominal ratings

Operating voltage	U_B	20 ... 250 V AC/20 ... 300 V DC
Switching frequency	f	30 Hz
Hysteresis	H	3 ... 15 typ. 5 %
Reverse polarity protection		yes
Short-circuit protection		yes
Voltage drop	U_d	≤ 8 V
Operating current	I_L	4 ... 300 mA AC/DC
Off-state current	I_r	≤ 0.8 mA
Operating voltage display		LED, green
Indication of the switching state		LED, yellow

Standard conformity

Standards	IEC / EN 60947-5-2:2004
-----------	-------------------------

Ambient conditions

Ambient temperature	-25 ... 70 °C (-13 ... 158 °F)
---------------------	--------------------------------

Mechanical specifications

Connection type	Device connector 1/2"-20 UN , 3-pin
Housing material	brass, nickel-plated
Sensing face	PBT
Protection degree	IP67

Approvals and certificates

UL approval	cULus Listed, General Purpose
CSA approval	cCSAus Listed, General Purpose
CCC approval	Certified by China Compulsory Certification (CCC)