



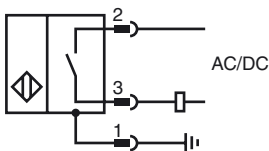
Model Number

NBB8-18GM60-US-V12

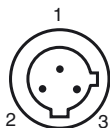
Features

- 8 mm embeddable
- 2-wire AC/DC

Connection



Pinout



Wire colors

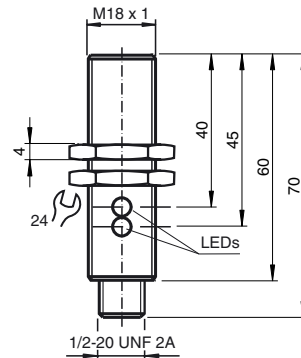
1	GN	(green)
2	RD/BK	(red/black)
3	RD/WH	(red/white)

Accessories

EXG-18

Quick mounting bracket with dead stop

Dimensions



Technical Data

General specifications

Switching element function	AC/DC	NO
Rated operating distance	s_n	8 mm
Installation		embeddable
Output polarity		AC/DC NO
Reduction factor r_{Al}		0.45
Reduction factor r_{Cu}		0.4
Reduction factor r_{303}		0.7

Nominal ratings

Operating voltage	U_B	20 ... 250 V AC/20 ... 300 V DC
Switching frequency	f	30 Hz
Hysteresis	H	3 ... 15 typ. 5 %
Reverse polarity protected		tolerant
Short-circuit protection		yes
Voltage drop	U_d	≤ 8 V
Operating current	I_L	4 ... 300 mA AC/DC
Off-state current	I_r	≤ 0.8 mA
Operating voltage display		LED, green
Indication of the switching state		LED, yellow

Ambient conditions

Ambient temperature	-25 ... 70 °C (-13 ... 158 °F)
---------------------	--------------------------------

Mechanical specifications

Connection type	Device connector 1/2"-20 UN , 3-pin
Housing material	brass, nickel-plated
Sensing face	PBT
Protection degree	IP67

Compliance with standards and directives

Standard conformity	
Standards	EN 60947-5-2:2007 IEC 60947-5-2:2007

Approvals and certificates

UL approval	cULus Listed, General Purpose
CSA approval	cCSAus Listed, General Purpose
CCC approval	Certified by China Compulsory Certification (CCC)

Release date: 2011-07-14 15:43 Date of issue: 2011-07-14 198078_eng.xml