



Model Number

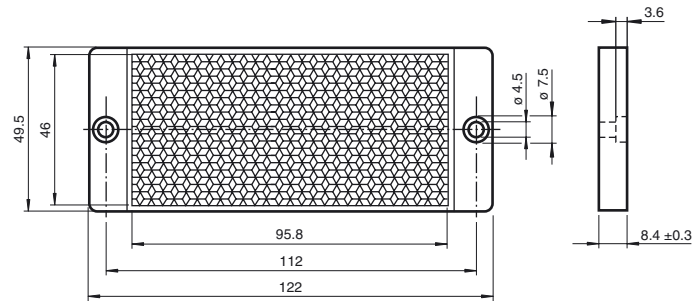
REF-H50x100

Reflector, rectangular 122 mm x 49.5 mm, mounting holes

Features

- Mounting holes for simple installation

Dimensions



Technical data

General specifications

Construction type: rectangular

Ambient conditions

Ambient temperature: -40 ... 70 °C (-40 ... 158 °F)

Mechanical specifications

Dimensions: 122 mm x 49.5 mm x 8.4 mm

Mounting: mounting holes