



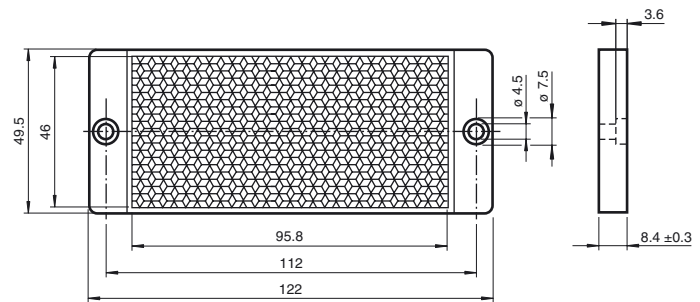
Model Number

REF-H50x100SR

Features

- Mounting holes for simple installation
- Specially resistant to scratching and knocks

Dimensions



Technical data

General specifications

Construction type rectangular

Ambient conditions

Ambient temperature -20 ... 85 °C (-4 ... 185 °F)

Mechanical specifications

Material PMMA

Dimensions 122 mm x 49.5 mm x 8.4 mm

Mounting mounting holes