



Model Number

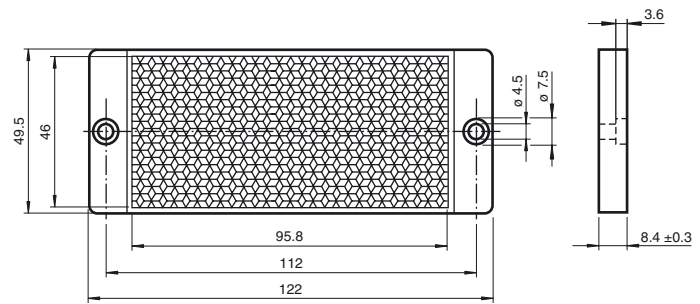
REF-H50x100HT

Reflector, rectangular 49.5 mm x 122 mm, mounting holes, high temperature applications

Features

- Mounting holes for simple installation
- High temperature rated to 120 °C (248 °F)

Dimensions



Technical data

General specifications

Construction type rectangular

Ambient conditions

Ambient temperature -20 ... 120 °C (-4 ... 248 °F) ; briefly (< 2 min) up to 160 °C (320 °F)

Mechanical specifications

Material PMMA
 Dimensions 122 mm x 49.5 mm x 8.4 mm
 Mounting mounting holes