



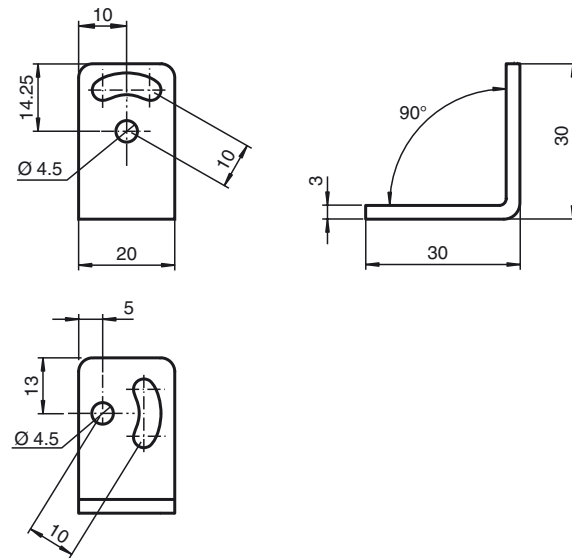
CE

### Model Number

**OMH-VOS300-01**

Mounting bracket for series VOS300 sensors

### Dimensions



### Technical data

#### Mechanical specifications

Material	Stainless steel
Mass	approx. 21 g
Mounting	Mounting accessories included