



**Model Number**

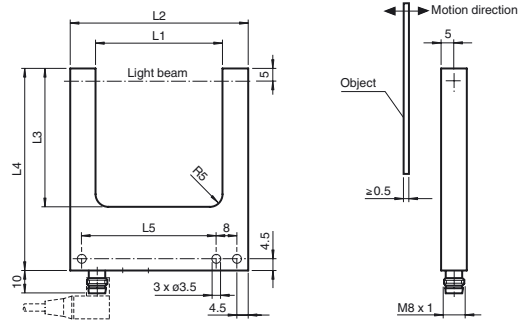
**GLE80-RT/32/40a/98a**

Photoelectric slot sensor with 3-pin, M8 x 1 connector

**Features**

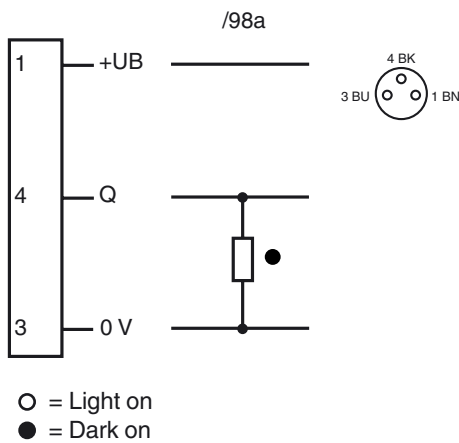
- High switching frequency
- Optimized for the detection of small parts
- Visible red light
- Sensitivity adjuster and light/dark switch as standard features of this series
- Stainless steel housing
- Protection degree IP67
- cULus approval

**Dimensions**



	L1	L2	L3	L4	L5
GL30...	30	50	35	60	33
GL50...	50	70	55	80	53
GL80...	80	100	55	80	83

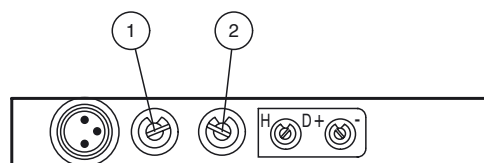
**Electrical connection**



**Pinout**



**Indicators/operating means**



1	Light-/dark switch
2	Sensitivity adjuster

Release date: 2011-12-23 07:58 Date of issue: 2011-12-23 196656\_eng.xml

Subject to modifications without notice

Pepperl+Fuchs Group  
www.pepperl-fuchs.com

USA: +1 330 486 0001  
fa-info@us.pepperl-fuchs.com

Germany: +49 621 776-4411  
fa-info@pepperl-fuchs.com

Copyright Pepperl+Fuchs  
Singapore: +65 6779 9091  
fa-info@sg.pepperl-fuchs.com

**Technical data****General specifications**

Light source	LED
Light type	modulated visible red light
Approvals	CE, cULus
Tests	EN 60947-5-2
Target size	0.5 mm
Fork width	80 mm
Ambient light limit	100000 Lux

**Indicators/operating means**

Function display	LED red in the connector plug, illuminates with free light beam
Controls	Sensitivity adjuster, light/dark switch

**Electrical specifications**

Operating voltage	$U_B$	10 ... 30 V DC, class 2
Ripple		10 %
No-load supply current	$I_0$	25 mA

**Output**

Switching type	light/dark on	
Signal output	1 PNP output, short-circuit protected, protected from reverse polarity, open collector	
Switching voltage	max. 30 V DC	
Switching current	max. 200 mA	
Switching frequency	$f$	350 Hz
Response time		1 ms

**Ambient conditions**

Ambient temperature	-20 ... 60 °C (-4 ... 140 °F)
Storage temperature	-20 ... 75 °C (-4 ... 167 °F)

**Mechanical specifications**

Protection degree	IP67
Connection	M8 connector, 3-pin
Material	
Housing	Stainless steel 1.4305 / AISI 303
Optical face	glass
Mass	140 g