



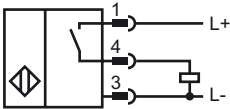
Model Number

NJ30+U1+E2-T-V1

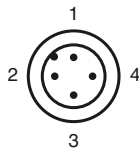
Features

- Temperature range -25 ... 100 °C
- 30 mm not embeddable

Connection



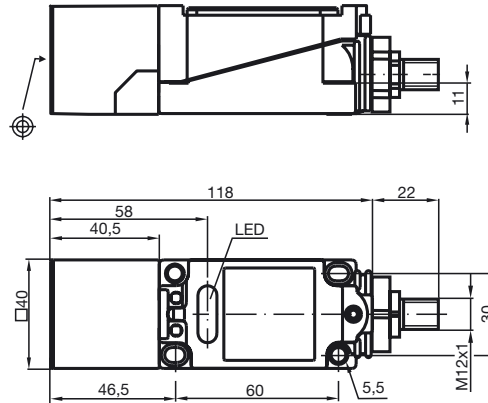
Pinout



Wire colors in accordance with EN 60947-5-2

- | | | |
|---|--|----|
| 1 | | BN |
| 2 | | WH |
| 3 | | BU |
| 4 | | BK |

Dimensions



Technical Data

General specifications

Switching element function		PNP	Make function
Rated operating distance	s_n	30 mm	
Installation		not embeddable	
Output polarity		DC	
Assured operating distance	s_a	0 ... 24.3 mm	
Reduction factor r_{A1}		0.4	
Reduction factor r_{Cu}		0.3	
Reduction factor r_{V2A}		0.85	

Nominal ratings

Operating voltage	U_B	10 ... 60 V
Switching frequency	f	0 ... 300 Hz
Hysteresis	H	typ. 3 %
Reverse polarity protection		protected against reverse polarity
Short-circuit protection		pulsing
Voltage drop	U_d	≤ 3 V
Operating current	I_L	0 ... 200 mA
No-load supply current	I_0	≤ 20 mA
Operating voltage display		LED, green
Indication of the switching state		LED, yellow

Standard conformity

Standards	IEC / EN 60947-5-2:2004
-----------	-------------------------

Ambient conditions

Ambient temperature	-25 ... 100 °C (248 ... 373 K)
---------------------	--------------------------------

Mechanical specifications

Connection type	V1-connector
Housing material	PBT
Sensing face	PBT
Protection degree	IP68
Mass	130 g

Release date: 2009-11-17 11:06 Date of issue: 2009-11-17 196263_ENG.xml