



GL30-RT-3613/32/40a/98a

Fork type sensor

GL30-RT-3613/32/40a/98a

with 3-pin, M8 connector



- ◆ Optimised for the detection of small parts
- ◆ Visible red light
- ◆ Sensitivity adjuster and light/dark switch as standard features of this series
- ◆ Protection degree IP67
- ◆ cULus approval
- ◆ diecast zinc housing, powder coated

Release date: 2006-09-12 10:22 Date of issue: 2006-09-12 195835_ENG.xml

General specifications

Light source	LED
Approvals	CE, cULus
Tests	EN 60947-5-2
Obstacle size	0.5 mm
Fork width	30 mm
Light type	red, modulated light
Ambient light limit	100000 Lux

Indicators/operating means

Function display	LED red in the connector plug, illuminates with free light beam
Operating elements	Sensitivity adjuster, light/dark switch

Electrical specifications

Operating voltage	10 ... 30 V DC, class 2
Ripple	10 %
No-load supply current I_0	25 mA

Output

Switching type	light/dark switching
Signal output	1 pnp, short-circuit proof, open collector
Switching voltage	max. 30 V DC
Switching current	max. 200 mA
Switching frequency f	350 Hz
Response time	1 ms

Ambient conditions

Ambient temperature	-20 ... 60 °C (253 ... 333 K)
Storage temperature	-20 ... 75 °C (253 ... 348 K)

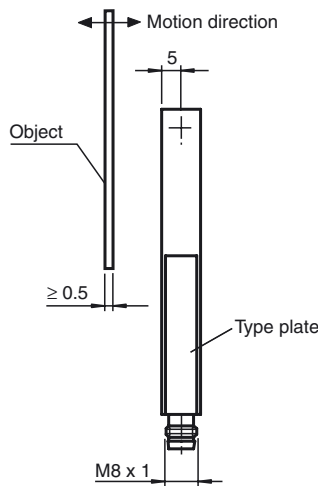
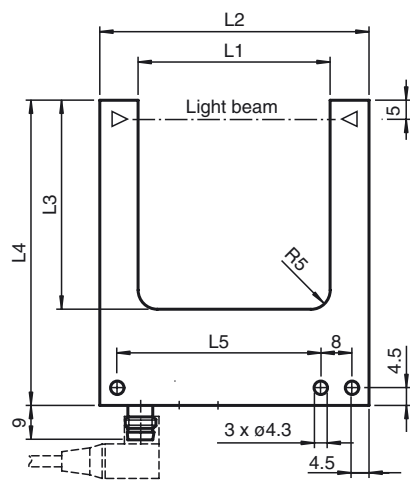
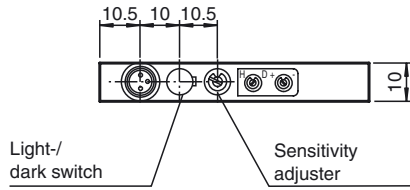
Mechanical specifications

Protection degree	IP67
Connection	M8 connector, 3-pin
Material	
Housing	diecast zinc, powder coated
Optical face	glass
Mass	60 g

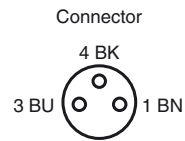


GL30-RT-3613/32/40a/98a

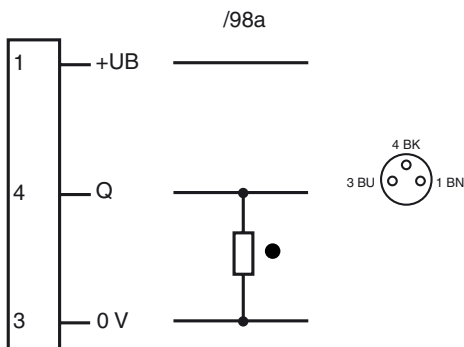
Dimensions



	L1	L2	L3	L4	L5
GL30...	30	50	35	60	33
GL50...	50	70	55	80	53
GL80...	80	100	55	80	83



Electrical connection



○ = light on, ● = dark on

Release date: 2006-09-12 10:22 Date of issue: 2006-09-12 195835_ENG.xml