



**Model Number**

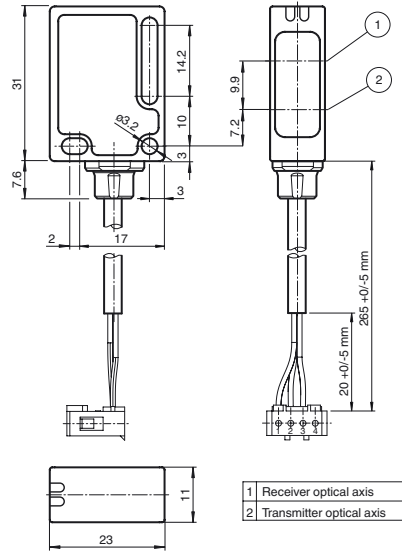
**ML8-8-HGU-210-IR-3647**

Convergent mode sensor  
with fixed cable and Stocko plug, 4-pin

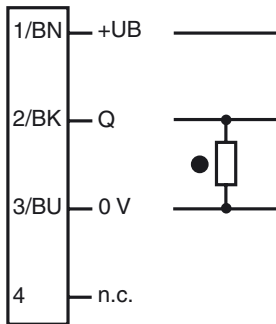
**Features**

- Background interference suppression
- Flexible mounting possibilities due to slotted hole
- Not sensitive to ambient light, even with switched energy saving lamps
- Miniature design

**Dimensions**



**Electrical connection**



○ = Light on  
● = Dark on

Release date: 2012-04-19 15:56 Date of issue: 2012-04-19 195671\_eng.xml

Subject to modifications without notice

Pepperl+Fuchs Group  
www.pepperl-fuchs.com

USA: +1 330 486 0001  
fa-info@us.pepperl-fuchs.com

Germany: +49 621 776-4411  
fa-info@pepperl-fuchs.com

Copyright Pepperl+Fuchs  
Singapore: +65 6779 9091  
fa-info@sg.pepperl-fuchs.com

**Technical data**

**General specifications**

Detection range	10 ... 210 mm
Reference target	standard white, 100 mm x 100 mm
Light source	IRET
Light type	modulated infrared light
Diameter of the light spot	approx. 10 mm at detection range 200 mm
Ambient light limit	30000 Lux

**Indicators/operating means**

Function display	LED yellow: lights when object is detected
------------------	--

**Electrical specifications**

Operating voltage	$U_B$	10 ... 30 V DC , class 2
Ripple		max. 10 %
No-load supply current	$I_0$	< 20 mA

**Output**

Switching type	dark on	
Signal output	1 PNP output, short-circuit protected, reverse polarity protected, open collector	
Switching voltage	max. 30 V DC	
Switching current	max. 100 mA	
Switching frequency	$f$	200 Hz
Response time		2.5 ms

**Ambient conditions**

Ambient temperature	-30 ... 60 °C (-22 ... 140 °F)
Storage temperature	-40 ... 75 °C (-40 ... 167 °F)

**Mechanical specifications**

Protection degree	IP65
Connection	fixed cable with Stocko plug , 4-pin 3.6 mm cable diameter Cable strand cross-section 3 x 0.2 mm <sup>2</sup>

**Material**

Housing	PC (glass-fiber-reinforced Makrolon)
Optical face	PMMA
Sheathing	PUR
Core insulation	PVC
Mass	approx. 10 g
Tightening torque, fastening screws	≤ 0.4 Nm

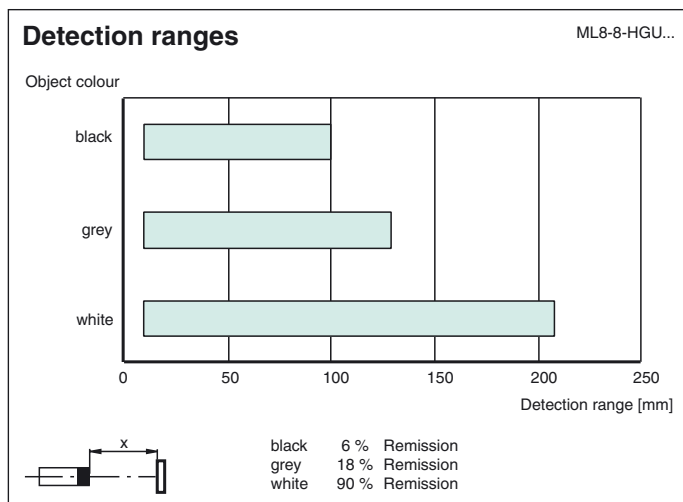
**Compliance with standards and directives**

Directive conformity	EMC Directive 2004/108/EC
Standard conformity	
Product standard	EN 60947-5-2:2007
Protection degree	EN 60529
Standards	EN 50178, UL 508

**Approvals and certificates**

UL approval	cULus Listed, Class 2 Power Source, Type 1 enclosure
CCC approval	Products with a maximum operating voltage of ≤36 V do not bear a CCC marking because they do not require approval.

Other suitable accessories can be found at [www.pepperl-fuchs.com](http://www.pepperl-fuchs.com)



Release date: 2012-04-19 15:56 Date of issue: 2012-04-19 195671\_eng.xml