

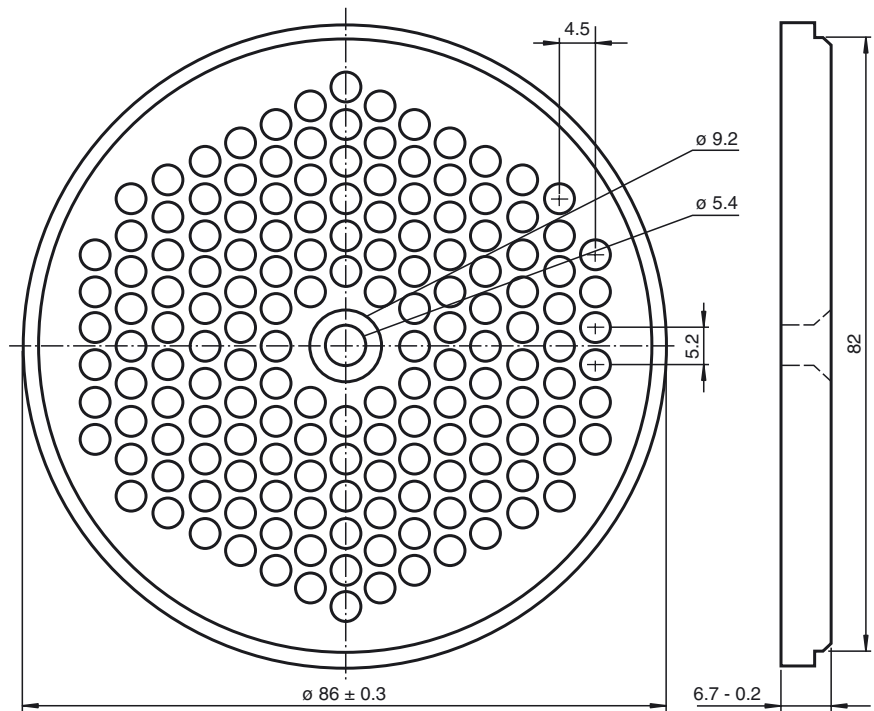


CE

Model Number**REF-CH85HT**Reflector, round \varnothing 85 mm, central mounting hole**Features**

- Specially resistant to scratching and knocks
- Heat resistant up to 140 °C (284 °F)

suitable for photoelectric sensor without polarization filter

Dimensions**Technical data****General specifications**

Construction type circular

Ambient conditions

Ambient temperature -40 ... 140 °C (-40 ... 284 °F)

Mechanical specifications

Material	Glass / HYTREL
Dimensions	Diameter: 82 mm
Mounting	mounting holes