



**Model Number**

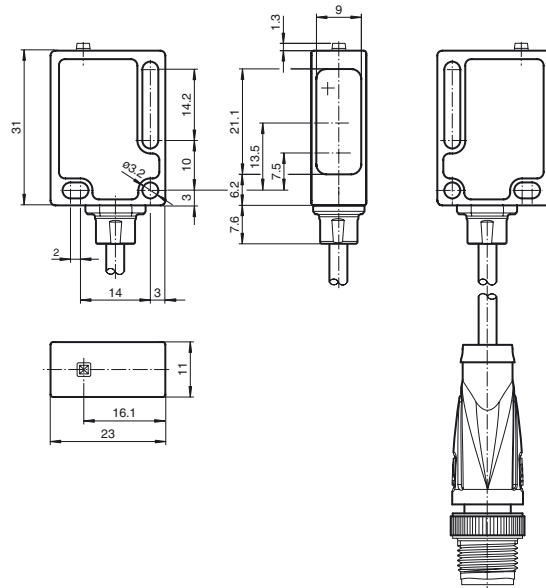
**ML8-55/25/115b/136/138**

Retroreflective sensor  
with 0.3 m fixed cable and M12 connector, 4-  
pin

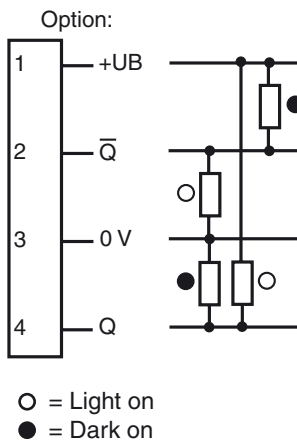
**Features**

- Miniature design
- 2-way LED indicator for switch status
- Push-pull output
- Flexible mounting possibilities due to slotted hole
- Waterproof, protection degree IP67
- Protection class II

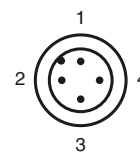
**Dimensions**



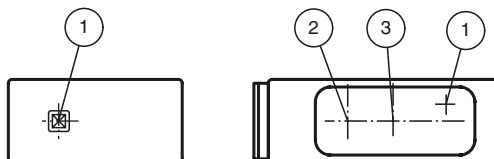
**Electrical connection**



**Pinout**



**Indicators/operating means**



1	Switching state	yellow
2	Emitter	
3	Receiver	

Release date: 2011-03-15 14:00 Date of issue: 2011-03-15 194925\_ENG.xml

Subject to modifications without notice

Pepperl+Fuchs Group  
www.pepperl-fuchs.com

USA: +1 330 486 0001  
fa-info@us.pepperl-fuchs.com

Germany: +49 621 776-4411  
fa-info@pepperl-fuchs.com

Copyright Pepperl+Fuchs  
Singapore: +65 6779 9091  
fa-info@sg.pepperl-fuchs.com

**Technical data****General specifications**

Effective detection range	0 ... 3 m
Reflector distance	0.02 ... 3 m
Threshold detection range	3.5 m
Reference target	H85-2 reflector
Light source	LED
Light type	modulated visible red light
Diameter of the light spot	approx. 180 mm at a distance of 3.5 m
Angle of divergence	approx. 3 °
Ambient light limit	40000 Lux

**Functional safety related parameters**

MTTF <sub>d</sub>	2340 a
Mission Time (T <sub>M</sub> )	20 a
Diagnostic Coverage (DC)	0 %

**Indicators/operating means**

Function display	LED yellow: switching state
------------------	-----------------------------

**Electrical specifications**

Operating voltage	U <sub>B</sub>	10 ... 30 V DC , class 2
Ripple		max. 10 %
No-load supply current	I <sub>0</sub>	< 15 mA

**Output**

Switching type	light on	
Signal output	2 Push-pull outputs, complementary, short-circuit proof, reverse polarity protected	
Switching voltage	max. 30 V DC	
Switching current	max. 100 mA	
Voltage drop	U <sub>d</sub>	≤ 2.5 V DC
Response time		1.8 ms

**Ambient conditions**

Ambient temperature	-20 ... 60 °C (-4 ... 140 °F)
Storage temperature	-40 ... 75 °C (-40 ... 167 °F)

**Mechanical specifications**

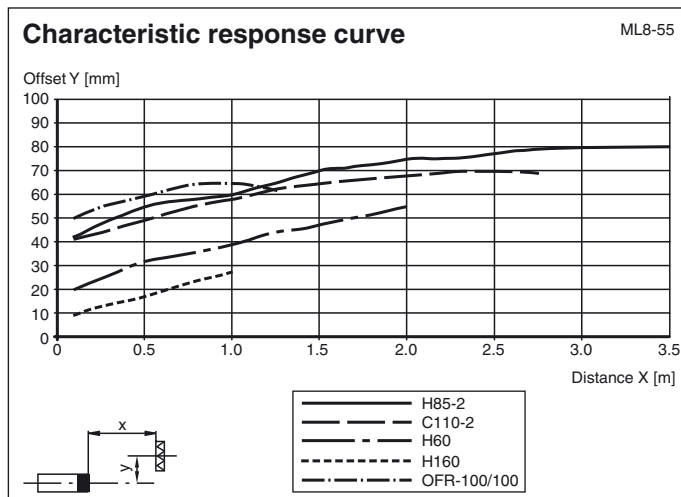
Protection degree	IP67
Connection	fixed cable 300 mm with M12 connector, 4-pin
Material	
Housing	PC (glass-fiber-reinforced Makrolon)
Optical face	PMMA
Mass	approx. 30 g

**Compliance with standards and directives**

Directive conformity	EMC Directive 2004/108/EC
Standard conformity	
Product standard	EN 60947-5-2:2007
Protection degree	EN 60529
Standards	EN 50178, UL 508

**Approvals and certificates**

Protection class	II, rated voltage ≤ 250 V AC with pollution degree 1-2 according to IEC 60664-1
UL approval	cULus Listed, Class 2 Power Source, Type 1 enclosure
CCC approval	Products with a maximum operating voltage of ≤36 V do not bear a CCC marking because they do not require approval.

**Curves/Diagrams****Accessories****Montagekit OMH-ML7-01**

Mounting set consisting of bracket OMH-ML-01 sheet ONH-ML7-03, and fastening material

**Montagekit OMH-ML7-02**

Mounting set consisting of bracket OMH-ML-02 sheet ONH-ML7-03, and fastening material

**OMH-ML7-01**

Mounting bracket

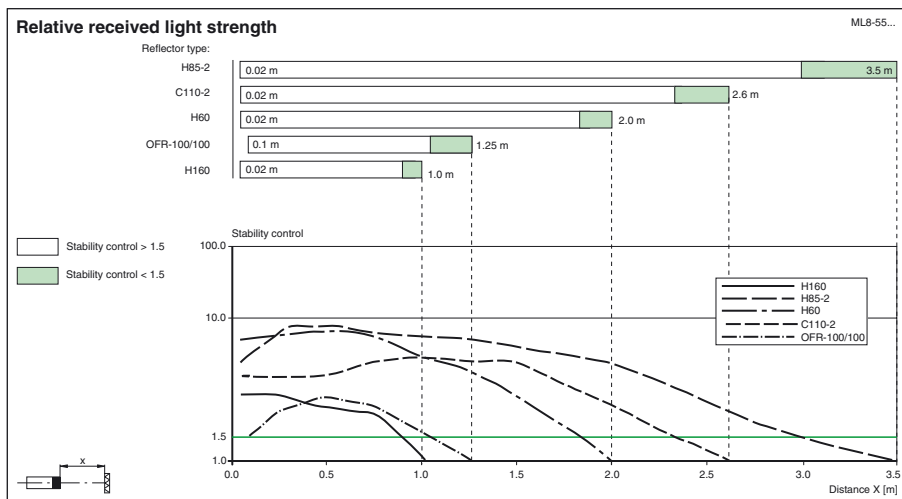
**OMH-ML7-02**

Mounting bracket

**OMH-ML7-03**

Fixing plate

Other suitable accessories can be found at [www.pepperl-fuchs.com](http://www.pepperl-fuchs.com)



Release date: 2011-03-15 14:00 Date of issue: 2011-03-15 194925\_ENG.xml