



GL121-RT-3613/32/40a/98a

Fork type sensor

# GL121-RT-3613/32/40a/98a

with 3-pin, M8 connector



- ◆ Optimised for the detection of small parts
- ◆ Visible red light
- ◆ Sensitivity adjuster and light/dark switch as standard features of this series
- ◆ Protection degree IP67
- ◆ cULus approval
- ◆ diecast zinc housing, powder coated

Release date: 2007-01-22 16:00 Date of issue: 2007-01-22 194647\_ENG.xml

**General specifications**

Light source	LED
Approvals	CE, cULus
Tests	EN 60947-5-2
Obstacle size	0.5 mm
Fork width	121 mm
Light type	red, modulated light
Ambient light limit	100000 Lux

**Indicators/operating means**

Function display	LED red in the connector plug, illuminates with free light beam
Operating elements	Sensitivity adjuster, light/dark switch

**Electrical specifications**

Operating voltage	10 ... 30 V DC, class 2
Ripple	10 %
No-load supply current $I_0$	25 mA

**Output**

Switching type	light/dark switching
Signal output	1 pnp, short-circuit proof, open collector
Switching voltage	max. 30 V DC
Switching current	max. 200 mA
Repeat accuracy	0.05 mm
Response time	≤ 1 ms

**Ambient conditions**

Ambient temperature	-20 ... 60 °C (253 ... 333 K)
Storage temperature	-20 ... 75 °C (253 ... 348 K)

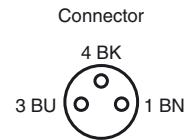
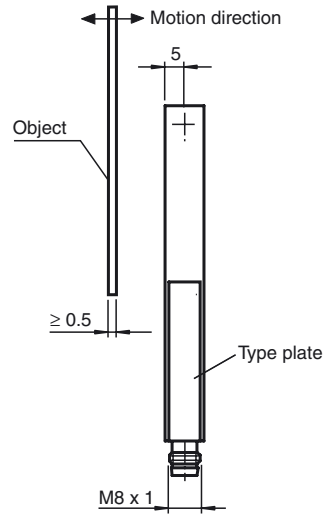
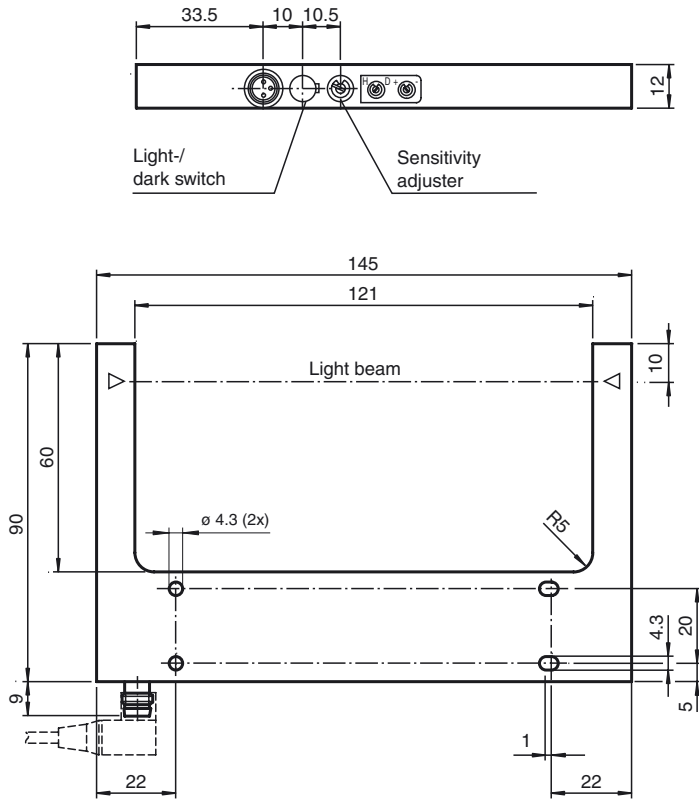
**Mechanical specifications**

Protection degree	IP67
Connection	M8 connector, 3-pin
Material	
Housing	diecast zinc, powder coated
Optical face	glass
Mass	60 g

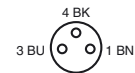
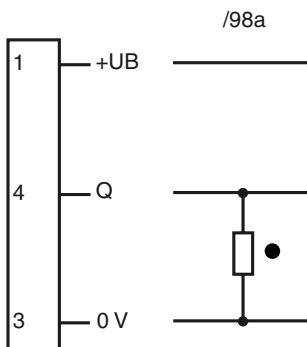


# GL121-RT-3613/32/40a/98a

## Dimensions



## Electrical connection



○ = light on, ● = dark on

Release date: 2007-01-22 16:00 Date of issue: 2007-01-22 194647\_ENG.xml