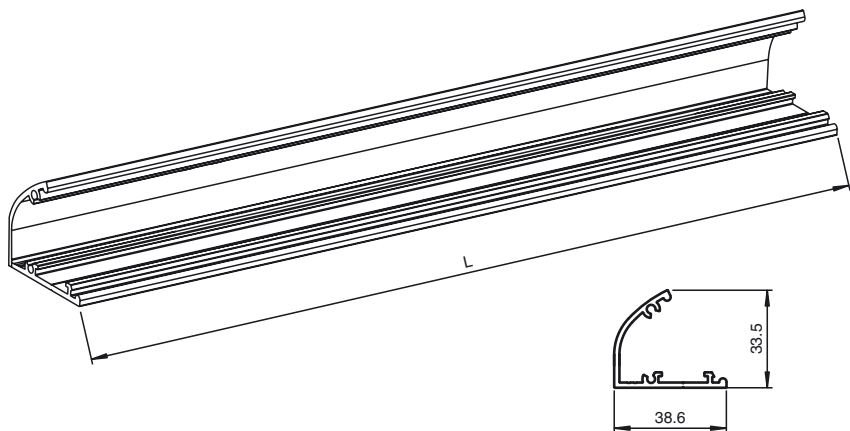


Dimensions



Model number

TopScan-S Profile L1400

Housing profile TopScan-S

for TopScan-S device version with 1400 mm profile-section length

Technical data

Ambient conditions

Ambient temperature -10 ... 50 °C (263 ... 323 K)

Mechanical specifications

Material aluminium

Suitable series

Series TOPSCAN-S