



Laser Class 2M

Model Number

ODT-HH-MAH200-B15

Handheld reader with bluetooth for all standard 1D and 2D barcodes

Features

- All common 1D or 2D codes can be read
- Wireless Bluetooth connection
- 3 readings per seconds
- Omni-directional reading
- Evaluation of up to 256 gray values with adaptive gray value threshold

Function

The ODT-HH-MAH200/B15 is a handheld, which is used to identify objects with 1D and 2D barcodes. With this, the handheld sets a new benchmark: Thanks to the CMOS-Sensor, with a resolution of 1.3 million pixels, an innovative lens coverage with 2 reading ranges and a 400 MHz processor, the light and quick handheld device is presented with the ODT-HH-MAH200, fulfilling all the requirements of an object identifier, comparable to that of a stationary reading device.

The unique Dynamic Optimization Technology (DOT) continuously adapts the resolution, illumination and reading range to enable fast identification and decoding of a wide range of symbology types, sizes, recording surfaces and ambient lighting. With DOT, the ODT-HH-MAH200/B15 can decode 2D barcodes at speeds similar to those achieved when decoding 1D barcodes.

Data stored on the handheld can be smoothly transferred to a PC with a USB, RS 232 or PS/2 interface. In addition, the ODT-HH-MAH200-B15 features an integrated bluetooth antenna, which enables the wireless transfer of data to a PC.

Technical data

General specifications

Light type	Integrated LED lightning (red)
Symbologies	Maxi Code, PDF 417, Data Matrix, QR Code, MicroPDF 417, GoCode, UCC Composite, Aztec Code, Code 39, Code 128, UPC, EAN, JAN, Int 2 of 5, Codabar, Code 93, UCC RSS, POSTNET, PLANET, Japanese Post, Australia Post, Royal Mail, RM4SCC, KIX Code, Codablock, 4-State Customer Barcode (Intelligent Mail® Barcode)
Laser class	2M
Read distance	50 ... 500 mm Depending on code symbology
Reading field	max. 125 mm x 200 mm
Modul size	≥ 0.15 mm
Sensor principle	Camera system
Target velocity	Stop
Data Matrix	
Symbol size	rectangular up to 144 x 144 modules rectangular up to 16 x 48 modules
Orientation	omnidirectional

Electrical specifications

Supply	from USB or integrated accumulator
--------	------------------------------------

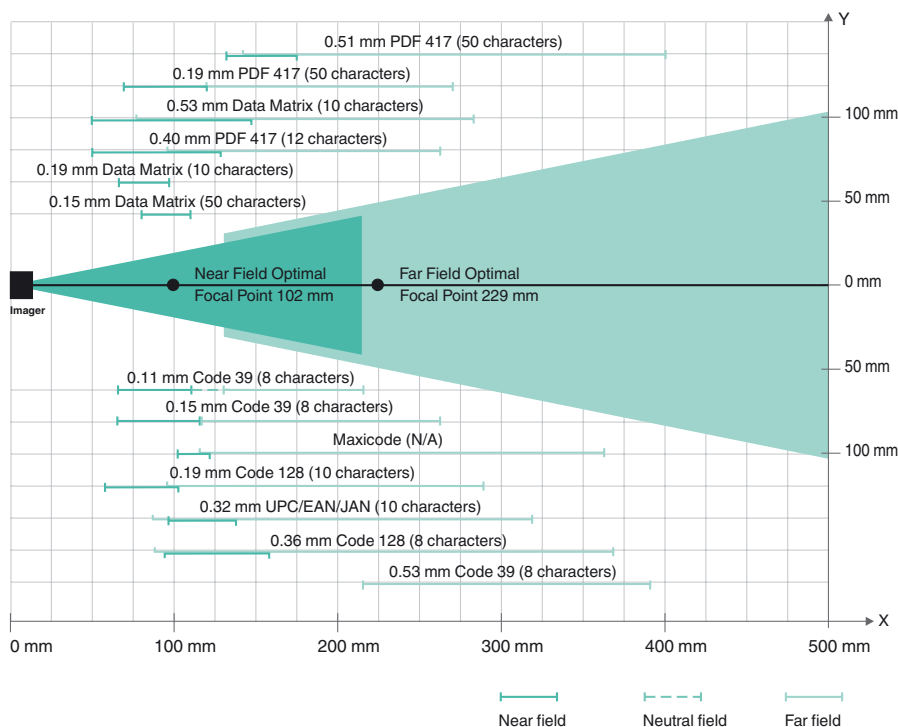
Mechanical specifications

Protection degree	IP20
Connection	System connector for connecting cable or handle
Material	
Housing	plastic
Mass	approx. 50 g
Dimensions	109 mm x 46 mm x 33 mm

Compliance with standards and directives

Directive conformity	
EMC Directive 89/336/EEC	EN 55024
Standard conformity	
Noise immunity	EN 61000-4-2/3/4/6, EN 55022
Emitted interference	EN 55022
Protection degree	EN 60529
Laser class	IEC 60825-1:2007

Read range for various symbologies



Accessories

Vision Configurator

Software for all camera-based sensors

ODZ-MAH-B15-M3

Bluetooth modem, configured for USB

ODZ-MAH200-BRACKET

Bracket for ODT-HH-MAH200

ODZ-MAH-GRIP1

Handle with trigger button

ODZ-MAH-GRIP2

Handle with trigger switch and 1950 mAh battery

ODZ-MAH-GRIP3

Handle with trigger switch and 3900 mAh battery

ODZ-MAH-SUPPLY

Power supply

ODZ-MAH-CHARGER

Charging tray for ODZ-MAH-GRIP2/GRIP3

ODZ-MAH-CHARGER-SINGLE

Charger for ODT-HH-MAH200/300/1*T-HH20

ODZ-MAH200-CHARGER

Charger for ODT-HH-MAH200/ODZ-MAH-BAT

ODZ-MAH-CAB-CHARGE

Cable for power supply unit

ODZ-MAH-BAT

Lithium ion battery 1950 mAh

ODZ-MAH-BLANK

Battery blank

ODZ-MAH-CAB-R2

Connection cable RS 232 interface

ODZ-MAH-CAB-R6

Connecting cable PS/2 interface

ODZ-MAH-CAB-B14

Connecting Cable with USB Interface

ODS-MAH-RULERUNNER

Rule Runner Java Script licence

ODS-MAH-B15-ENCRYPT

Software for encrypted Bluetooth transfer

ODZ-MAH200-CODEROUTER

Code Router Software

ODZ-MAH-5V-110V

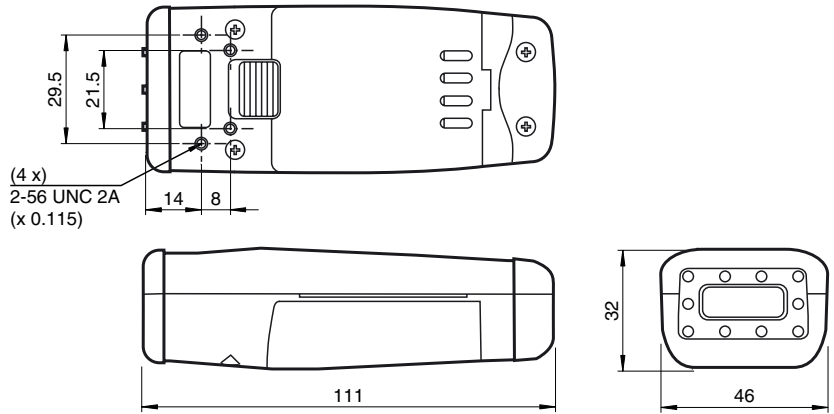
Power supply

ODZ-MAH-CHARGER-UM-110V

Charging tray for ODZ-MAH-GRIP2/GRIP3



Dimensions



Release date: 2011-10-07 12:19 Date of issue: 2011-10-12 193882_eng.xml